

Accessories



Filling washer FFD



Washer U

| Item | Item No. | Internal diameter D [mm] | External-Ø d [mm] | Match | Sales unit [pcs] |
|-------------------|----------|--------------------------------|-------------------------|--|---------------------|
| FFD 22 x 9 x 6 | 547515 | 9,0 | 22 | FBS II 6 | 4 |
| FFD 26 x 12 x 6 | 538458 | 12,0 | 26 | FBS II 8 / FAZ II 8 / FAZ II 10 | 4 |
| FFD 30 x 14 x 6 | 538459 | 14,0 | 30 | FBS II 10 / FBS II 12 / FAZ II M12 | 4 |
| FFD 38 x 19 x 7 | 538460 | 19 | 38 | FBS II 14 / FAZ II 16 | 4 |
| FFD 30x14x6 A4 | 541987 | 14,0 | 30 | FBS II 10 R / FBS II 12 R / FAZ II M12 R | 4 |
| Washer for FBS 10 | 520471 | 13,5 | 44 | FBS II 10 | 50 |

Technical data



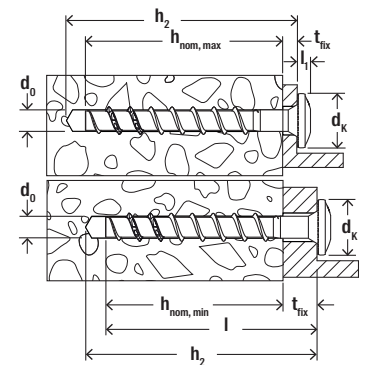
UltraCut FBS II 6 P
- panhead



UltraCut FBS II 6 SK
- countersunk head



UltraCut FBS II 6 US
- hexagonal head with
molded washer



| Item | Item No. | Approval ETA | Drill hole diameter d ₀ [mm] | Min. drill hole depth for through fixings h ₂ [mm] | Screw length l _s [mm] | Head-Ø d _K [mm] | Screw-in depth h _{nom,min} - h _{nom,max} [mm] | Usable length t _{fix,min} - t _{fix,max} [mm] | Drive | Sales unit [pcs] |
|-----------------------|----------|-----------------|---|---|--|----------------------------------|---|--|-------|---------------------|
| FBS II 6 x 30/5 P | 546377 | ● | 6 | 40 | 30 | 14.4 | 25 | Screw length - h _{nom} | T30 | 100 |
| FBS II 6 x 40/5 P | 546378 | ● | 6 | 50 | 40 | 14.4 | 25 - 35 | Screw length - h _{nom} | T30 | 100 |
| FBS II 6 x 40/5 LP | 546379 | ● | 6 | 50 | 40 | 17.5 | 25 - 35 | Screw length - h _{nom} | T30 | 100 |
| FBS II 6 x 60/5 P | 546380 | ● | 6 | 70 | 60 | 14.4 | 25 - 55 | Screw length - h _{nom} | T30 | 100 |
| FBS II 6 x 80/25 P | 546381 | ● | 6 | 90 | 80 | 14.4 | 25 - 55 | Screw length - h _{nom} | T30 | 100 |
| FBS II 6 x 30/5 SK | 546382 | ● | 6 | 40 | 30 | 13.5 | 25 | Screw length - h _{nom} | T30 | 100 |
| FBS II 6 x 40/5 SK | 546383 | ● | 6 | 50 | 40 | 13.5 | 25 - 35 | Screw length - h _{nom} | T30 | 100 |
| FBS II 6 x 60/5 SK | 546384 | ● | 6 | 70 | 60 | 13.5 | 25 - 55 | Screw length - h _{nom} | T30 | 100 |
| FBS II 6 x 80/25 SK | 546385 | ● | 6 | 90 | 80 | 13.5 | 25 - 55 | Screw length - h _{nom} | T30 | 100 |
| FBS II 6 x 100/45 SK | 546386 | ● | 6 | 110 | 100 | 13.5 | 25 - 55 | Screw length - h _{nom} | T30 | 100 |
| FBS II 6 x 120/65 SK | 546387 | ● | 6 | 130 | 120 | 13.5 | 25 - 55 | Screw length - h _{nom} | T30 | 100 |
| FBS II 6 x 140/85 SK | 546388 | ● | 6 | 150 | 140 | 13.5 | 25 - 55 | Screw length - h _{nom} | T30 | 100 |
| FBS II 6 x 160/105 SK | 546389 | ● | 6 | 170 | 160 | 13.5 | 25 - 55 | Screw length - h _{nom} | T30 | 100 |
| FBS II 6 x 40/5 US | 546390 | ● | 6 | 50 | 40 | 17 | 25 - 35 | Screw length - h _{nom} | SW 10 | 100 |
| FBS II 6 x 60/5 US | 546391 | ● | 6 | 70 | 60 | 17 | 25 - 55 | Screw length - h _{nom} | SW 10 | 100 |
| FBS II 6 x 80/25 US | 546392 | ● | 6 | 90 | 80 | 17 | 25 - 55 | Screw length - h _{nom} | SW 10 | 100 |
| FBS II 6 x 100/45 US | 546393 | ● | 6 | 110 | 100 | 17 | 25 - 55 | Screw length - h _{nom} | SW 10 | 100 |
| FBS II 6 x 120/65 US | 546394 | ● | 6 | 130 | 120 | 17 | 25 - 55 | Screw length - h _{nom} | SW 10 | 100 |