

DECLARATION OF PERFORMANCE

DoP 0189

for fischer injection system FIS V (Metal injection anchors for use in masonry)

EN

1. <u>Unique identification code of the product-type:</u>	DoP 0189
2. <u>Intended use/es:</u>	Post-installed fastening in masonry units. See appendix, especially annexes
3. <u>Manufacturer:</u>	B1- B15 fischerwerke GmbH & Co. KG, Otto-Hahn-Straße 15, 79211 Denzlingen, Germany
4. <u>Authorised representative:</u>	-
5. <u>System/s of AVCP:</u>	1
6. <u>European Assessment Document:</u>	EAD 330076-00-0604, Edition 11/ 2017
European Technical Assessment:	ETA-10/0383; 2020-07-07
Technical Assessment Body:	DIBt- Deutsches Institut für Bautechnik
Notified body/ies:	1343 MPA Darmstadt / 2873 TU Darmstadt
7. <u>Declared performance/s:</u>	
Mechanical resistance and stability (BWR 1)	
Characteristic values for resistance:	Reduction factor: Annex C110 Characteristic resistance of a single anchor under tension loading: Annexes B3, C1, C3, C5, C7, C9, C11, C13, C15, C17, C19, C21, C23, C25, C27, C29, C31, C33, C35, C37, C39, C41, C43, C45, C47, C49, C51, C53, C55, C57, C59, C61, C63, C65, C67, C69, C71, C73, C75, C77, C79, C81, C83, C85, C87, C89, C91, C93, C95, C97, C99, C101, C102, C105, C107, C109 Characteristic resistance of an anchor group under tension loading: Annex B15 Characteristic resistance of a single anchor under shear loading: Annexes B3, C2, C3, C5, C7, C9, C11, C13, C15, C17, C19, C21, C23, C25, C27, C29, C31, C33, C35, C37, C39, C41, C43, C45, C47, C49, C51, C53, C55, C57, C59, C61, C63, C65, C67, C69, C71, C73, C75, C77, C79, C81, C83, C85, C87, C89, C91, C93, C95, C97, C99, C101, C102, C105, C107, C109 Characteristic resistance of an anchor group under shear loading without and with edge influence: Annex B15 Characteristic edge distance and spacing: Annexes B15, C4, C6, C8, C10, C12, C14, C16, C18, C20, C22, C24, C26, C28, C30, C32, C34, C36, C38, C40, C42, C44, C46, C48, C50, C52, C54, C56, C58, C60, C62, C64, C66, C68, C70, C72, C74, C76, C78, C80, C82, C84, C86, C88, C90, C92, C94, C96, C98, C100, C102, C104, C106, C108 Minimum edge distance and spacing: Annexes B15, C4, C6, C8, C10, C12, C14, C16, C18, C20, C22, C24, C26, C28, C30, C32, C34, C36, C38, C40, C42, C44, C46, C48, C50, C52, C54, C56, C58, C60, C62, C64, C66, C68, C70, C72, C74, C76, C78, C80, C82, C84, C86, C88, C90, C92, C94, C96, C98, C100, C102, C104, C106, C108 Group factor under tension and shear loading: Annexes C4, C6, C8, C10, C12, C14, C16, C18, C20, C22, C24, C26, C28, C30, C32, C34, C36, C38, C40, C42, C44, C46, C48, C50, C52, C54, C56, C58, C60, C62, C64, C66, C68, C70, C72, C74, C76, C78, C80, C82, C84, C86, C88, C90, C92, C94, C96, C98, C100, C102, C104, C106, C108 Minimum member thickness: Annex B2
Durability:	Annexes A5, B2
Displacements :	Annex C110
Safety in case of fire (BWR 2)	
Reaction to fire:	Class (A1)
Hygiene, health and the environment (BWR 3)	
Content, emission and/or release of dangerous substances:	NPA



8. Appropriate Technical Documentation and/or –
Specific Technical Documentation:

The performance of the product identified above is in conformity with the set of declared performance/s. This declaration of performance is issued, in accordance with Regulation (EU) No 305/2011, under the sole responsibility of the manufacturer identified above.

Signed for and on behalf of the manufacturer by:

Thilo Pregartner, Dr.-Ing.
Tumlingen, 2019-07-21

Peter Schillinger, Dipl.-Ing.

This DoP has been prepared in different languages. In case there is a dispute on the interpretation the English version shall always prevail.

The Appendix includes voluntary and complementary information in English language exceeding the (language-neutrally specified) legal requirements.

Specific Part

1 Technical description of the product

The Fischer injection system FIS V for masonry is a bonded anchor (injection type) consisting of a mortar cartridge with injection mortar Fischer FIS V, FIS VS and FIS VW, a perforated sieve sleeve and an anchor rod with hexagon nut and washer or an internal threaded rod in the range of M6 to M16. The steel elements are made of zinc coated steel, stainless steel or high corrosion resistant steel.

The anchor rod is placed into a drilled hole filled with injection mortar and is anchored via the bond between steel element, injection mortar and masonry and mechanical interlock.

The product description is given in Annex A.

2 Specification of the intended use in accordance with the applicable European Assessment Document

The performances given in Section 3 are only valid if the anchor is used in compliance with the specifications and conditions given in Annex B.

The verifications and assessment methods on which this European Technical Assessment is based lead to the assumption of a working life of the anchor of at least 50 years. The indications given on the working life cannot be interpreted as a guarantee given by the producer, but are to be regarded only as a means for choosing the right products in relation to the expected economically reasonable working life of the works.

3 Performance of the product and references to the methods used for its assessment

3.1 Mechanical resistance and stability (BWR 1)

Essential characteristic	Performance
Characteristic values for resistance	See Annexes C 1 to C 109
Displacements	See Annex C 110
Durability	See annex B 2

3.2 Safety in case of fire (BWR 2)

Essential characteristic	Performance
Reaction to fire	Class A1

3.3 Hygiene, health and the environment (BWR 3)

Essential characteristic	Performance
Content, emission and/or release of dangerous substances	No performance assessed

4 Assessment and verification of constancy of performance (AVCP) system applied, with reference to its legal base

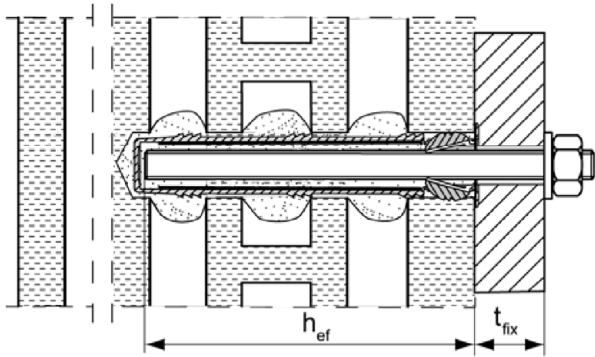
In accordance with the European Assessment Document EAD 330076-00-0604 the applicable European legal act is: [97/177/EC].

The system to be applied is: 1

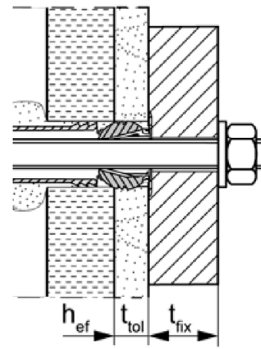
Installation conditions part 1

Anchor rods with perforated sleeve FIS H K; Installation in perforated and solid brick masonry

Pre-positioned anchorage:

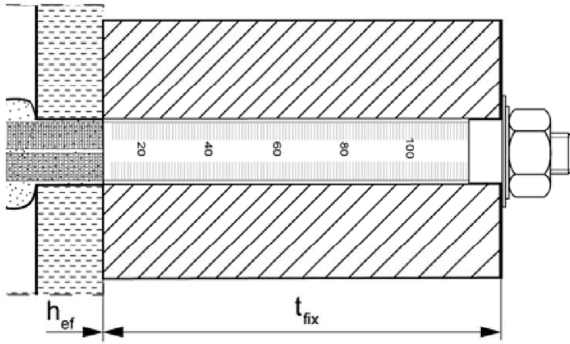


Installation with render bridge

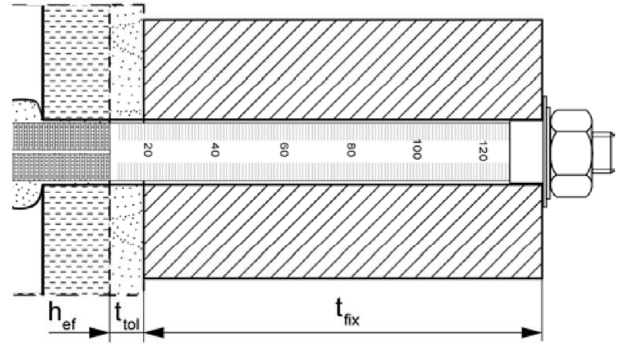


Size of the perforated sleeve: FIS H 12x50 K FIS H 16x85 K FIS H 20x85 K FIS H 20x200 K
 FIS H 12x85 K FIS H 16x130 K FIS H 20x130 K

Push through anchorage:



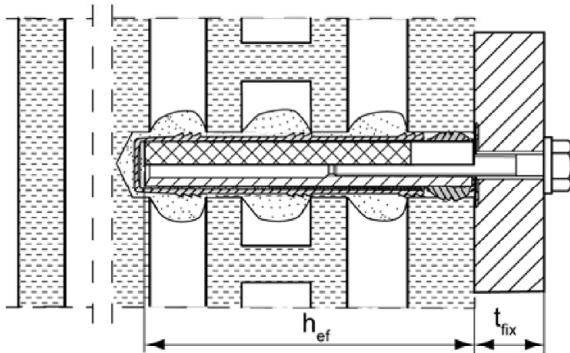
Installation with render bridge



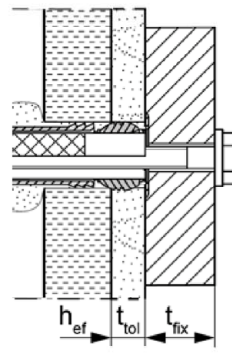
Size of the perforated sleeve: FIS H 18x130/200 K FIS H 22x130/200 K

Internal threaded anchor FIS E with perforated sleeve FIS H K; Installation in perforated and solid brick masonry

Pre-positioned anchorage:



Installation with render bridge



Pictures not to scale

h_{ef} = effective anchorage depth

t_{tol} = thickness of unbearing layer (e.g. plaster)

t_{fix} = thickness of fixture

fischer injection system FIS V for masonry

Product description
 Installation conditions part 1,
 Anchor rods and internal threaded anchor with perforated sleeve

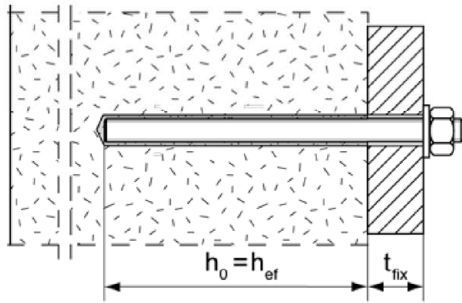
Annex A 1

Appendix 2/ 131

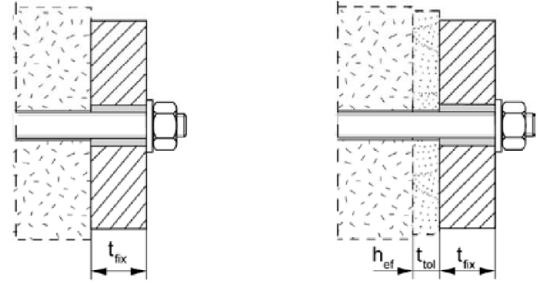
Installation conditions part 2

**Anchor rods without perforated sleeve FIS H K;
installation in solid brick masonry and autoclaved aerated concrete**

Pre-positioned anchorage:



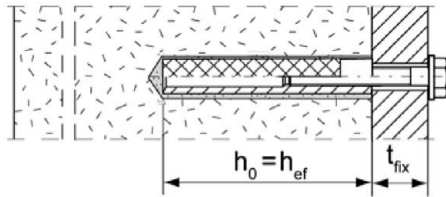
Push through anchorage: Annular gap filled with mortar



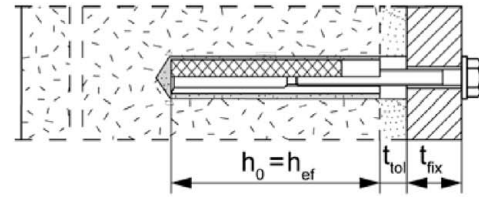
Installation with
render bridge

**Internal threaded anchors FIS E without perforated sleeve FIS H K;
installation in solid brick masonry and autoclaved aerated concrete**

Pre-positioned anchorage:



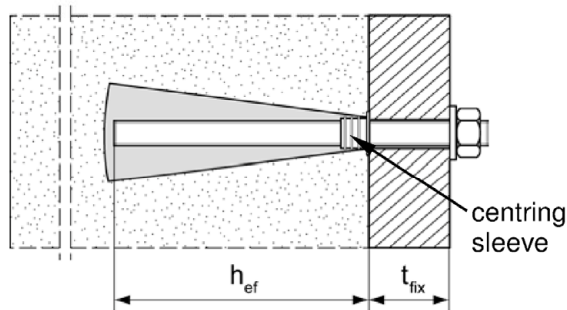
Installation with render bridge



Anchor rods and internal threaded anchors FIS E without perforated sleeve FIS H K; installation with centring sleeve in autoclaved aerated concrete with conical drill hole (installation with special conic drill bit PBB)

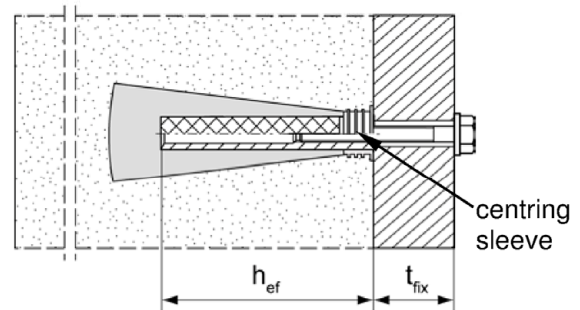
Pre-positioned anchorage:

anchor rods M8, M10, M12



Pre-positioned anchorage:

Internal threaded anchor FIS E 11x85 M6 / M8



Pictures not to scale

h_0 = depth of drill hole

h_{ef} = effective anchorage depth

t_{tol} = thickness of unbearing layer (e.g. plaster)

t_{fix} = thickness of fixture

fischer injection system FIS V for masonry

Product description

Installation conditions part 2, Anchor rods and internal threaded anchor without perforated sleeve / with centring sleeve

Annex A 2

Appendix 3/ 131

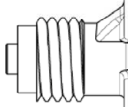
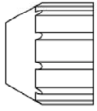
Overview system components part 1

Mortar cartridge (shuttle cartridge) with sealing cap

1

Size: 350 ml, 360 ml, 390 ml, 550 ml, 825 ml

Imprint: fischer FIS V or FIS VS Low Speed or FIS VW High Speed, processing notes, shelf-life, hazard code, piston travel scale (optional), curing time and processing time (depending on temperature), size, volume

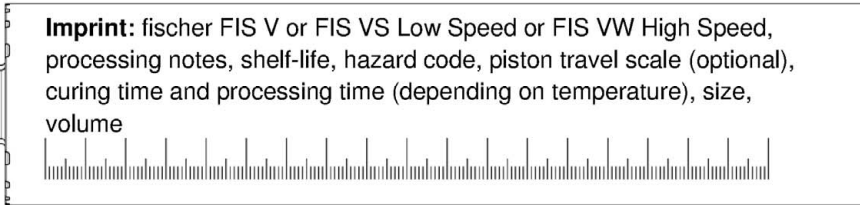
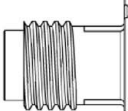
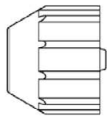


Mortar cartridge (coaxial cartridge) with sealing cap

1

Size: 100 ml, 150 ml, 300 ml, 380 ml, 400 ml, 410 ml

Imprint: fischer FIS V or FIS VS Low Speed or FIS VW High Speed, processing notes, shelf-life, hazard code, piston travel scale (optional), curing time and processing time (depending on temperature), size, volume

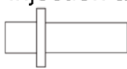


Static mixer MR Plus with injection adapter and center sleeve for aerated concrete

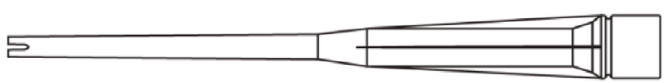
centring sleeve



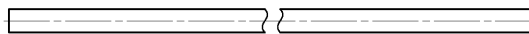
Injection adapter



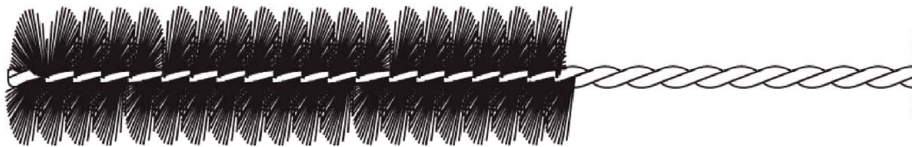
Static mixer



Extension tube



Cleaning brush BS



Blow-out pump ABG or ABP



Pictures not to scale

fischer injection system FIS V for masonry

Product description

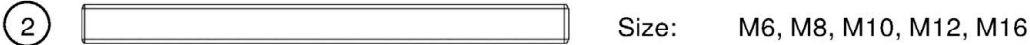
Overview system components part 1: cartridge / static mixer / cleaning tools

Annex A 3

Appendix 4/ 131

Overview system components part 2

fischer anchor rod



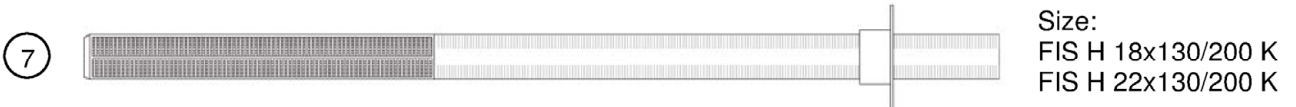
Internal threaded anchor FIS E



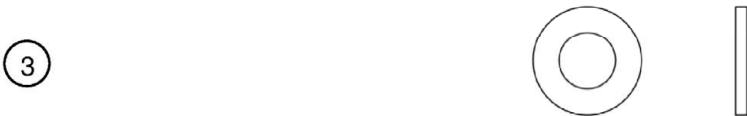
Perforated sleeve FIS H K



Perforated sleeve FIS H K (push through anchorage)



Washer



Hexagon nut



Pictures not to scale

fischer injection system FIS V for masonry

Product description

Overview system components part 2: steel parts / perforated sleeve

Annex A 4

Appendix 5/ 131

Table A5.1: Materials

Part	Designation	Material		
1	Mortar cartridge	Mortar, hardener; filler		
		Steel	Stainless steel R	High corrosion-resistant steel HCR
		zinc plated	acc. to EN 10088-1:2014 Corrosion resistance class CRC III acc. to EN 1993-1-4:2015	acc. to EN 10088-1:2014 Corrosion resistance class CRC V acc. to EN 1993-1-4:2015
2	Anchor rod	Property class 4.6; 4.8; 5.8 oder 8.8; EN ISO 898-1: 2013 zinc plated $\geq 5\mu\text{m}$, ISO 4042:2018 Zn5/An(A2K) or hot-dip galvanised EN ISO 10684:2004 $f_{uk} \leq 1000 \text{ N/mm}^2$ $A_5 > 8\%$ fracture elongation	Property class 50, 70 or 80 EN ISO 3506-1:2009 1.4401; 1.4404; 1.4578; 1.4571; 1.4439; 1.4362; 1.4062; 1.4662; 1.4462; EN 10088-1:2014 $f_{uk} \leq 1000 \text{ N/mm}^2$ $A_5 > 8\%$ fracture elongation	Property class 50 or 80 EN ISO 3506-1:2009 or property class 70 with $f_{yk} = 560 \text{ N/mm}^2$ 1.4565; 1.4529 EN 10088-1:2014 $f_{uk} \leq 1000 \text{ N/mm}^2$ $A_5 > 8\%$ fracture elongation
3	Washer ISO 7089:2000	zinc plated $\geq 5\mu\text{m}$, ISO 4042:2018 Zn5/An(A2K) or hot-dip galvanised EN ISO 10684:2004	1.4401; 1.4404; 1.4578; 1.4571; 1.4439; 1.4362; EN 10088-1:2014	1.4565; 1.4529 EN 10088-1:2014
4	Hexagon nut	Property class 5 or 8; EN ISO 898-2:2012 zinc plated $\geq 5\mu\text{m}$, ISO 4042:2018 Zn5/An(A2K) or hot-dip galvanised ISO 10684:2004	Property class 50, 70 or 80 EN ISO 3506-1:2009 1.4401; 1.4404; 1.4578; 1.4571; 1.4439; 1.4362; EN 10088-1:2014	Property class 50, 70 or 80 EN ISO 3506-1:2009 1.4565; 1.4529 EN 10088-1:2014
5	Internal threaded anchor FIS E	Property class 5.8; EN 10277-1:2008-06 zinc plated $\geq 5\mu\text{m}$, ISO 4042:2018 Zn5/An(A2K)	Property class 70 EN ISO 3506-1:2009 1.4401; 1.4404; 1.4578; 1.4571; 1.4439; 1.4362; EN 10088-1:2014	Property class 70 EN ISO 3506-1:2009 1.4565; 1.4529 EN 10088-1:2014
6	Commercial standard screw or threaded rod for internal threaded anchor FIS E	Property class 5.8 or 8.8; EN ISO 898-1:2013 zinc plated $\geq 5\mu\text{m}$, ISO 4042:2018 Zn5/An(A2K)	Property class 70 EN ISO 3506-1:2009 1.4401; 1.4404; 1.4578; 1.4571; 1.4439; 1.4362; EN 10088-1:2014	Property class 70 EN ISO 3506-1:2009 1.4565; 1.4529 EN 10088-1:2014
7	Perforated sleeve and centring sleeve	PP / PE		



fischer injection system FIS V for masonry

Product description
Materials**Annex A 5**

Appendix 6/ 131

Specifications of intended use (part 1)

Table B1.1: Overview use and performance categories

Anchorages subject to		fischer injection system FIS V for masonry	
Hole drilling with hammer drill mode 		all bricks; without C28 to C48, C75 to C78	
Hole drilling with rotary drill mode 		all bricks	
Static and quasi static load, in masonry		all bricks	
Use category	dry or wet masonry	all bricks	
Installation	Pre-positioned anchorage	Anchor rod or internal threaded anchor (in solid brick masonry and autoclaved aerated concrete)	Perforated sleeve with anchor rod or internal threaded anchor (in perforated and solid brick masonry) Size: FIS H 12x50 K FIS H 12x85 K FIS H 16x85 K FIS H 16x130 K FIS H 20x85 K FIS H 20x130 K FIS H 20x200 K
	Push through anchorage	Anchor rod; use only in cylindrical drill hole (in solid brick masonry and autoclaved aerated concrete)	Perforated sleeve with anchor rod (in perforated and solid brick masonry) Size: FIS H 18x130/200 K FIS H 22x130/200 K
Installation conditions	category d/d	all bricks	
	category w/d		
	category w/w		
Installation direction		D3 (downward and horizontal and upwards (e.g. overhead) installation)	
Installation temperature		$T_{i,min} = 0\text{ °C}$ bis $T_{i,max} = +40\text{ °C}$	
In-service temperature	Temperature range Tb	-40 °C to +80 °C	(max. short term temperature +80 °C max. long term temperature +50 °C)
	Temperature range Tc	-40 °C to +120 °C	(max. short term temperature +120 °C; max. long term temperature +72 °C)

fischer injection system FIS V for masonry

Intended Use
Specifications (part 1)

Annex B 1

Appendix 7/ 131

Specifications of intended use (part 2)

Anchorage subject to:

- Static and quasi-static loads

Base materials:

- Solid brick masonry (Use category b) and autoclaved aerated concrete (Use category d), acc. to Annex B 13 / B 14
- Hollow brick masonry (use category c), according to Annex B 13 / B 14
- For minimum thickness of masonry member is $h_{ef}+30\text{mm}$
- Mortar strength class of the masonry M2,5 at minimum according to EN 998-2:2010
- For other bricks in solid masonry, hollow or perforated masonry and autoclaved aerated concrete, the characteristic resistance of the anchor may be determined by job site tests according to EOTA Technical Report TR 053, Annex B under consideration of the β -factor according to Annex C 110, Table C110.1

Note (only applies to solid bricks and autoclaved aerated concrete):

The characteristic resistance is also valid for larger brick sizes, higher compressive strength and higher raw density of the masonry unit.

Temperature Range:

- **Tb:** From - 40°C to +80°C (max. short term temperature +80°C and max. long term temperature +50°C)
- **Tc:** From -40°C to +120°C (max. short term temperature +120°C and max. long term temperature +72°C)

Use conditions (Environmental conditions):

- **X1:** Structures subject to dry internal conditions exist
(zinc coated steel, stainless steel or high corrosion resistant steel)
- **X2:** Structures subject to external atmospheric exposure including industrial and marine environment or exposure to permanently damp internal condition, if no particular aggressive conditions exist
(stainless steel or high corrosion resistant steel)
- **X3:** Structures subject to external atmospheric exposure and to permanently damp internal condition, if other particular aggressive conditions exist (high corrosion resistant steel)

Note: Particular aggressive conditions are e.g. permanent, alternating immersion in seawater or the splash zone of seawater, chloride atmosphere of indoor swimming pools or atmosphere with extreme chemical pollution (e.g. in desulphurization plants or road tunnels where de-icing materials are used)

fischer injection system FIS V for masonry

Intended Use
Specifications (part2)

Annex B 2

Appendix 8/ 131

Specifications of intended use (part 2 continued)

Design:

- The anchorages have to be designed in accordance with EOTA Technical Report TR 054, Design method A under the responsibility of an engineer experienced in anchorages and masonry work.

Applies to all bricks, if no other values are specified:

$$N_{Rk} = N_{Rk,b} = N_{Rk,p}$$

$$V_{Rk} = V_{Rk,b} = V_{Rk,c}$$

For the Calculation of pulling out a brick under tensile load $N_{Rk,pb}$ or pushing out a brick under shear load $V_{Rk,pb}$ see EOTA Technical Report TR 054.

$N_{Rk,s}$, $V_{Rk,s}$ and $M^0_{Rk,s}$ see annex C1-C3

Factors for job site tests and displacements see Annex C110

- Verifiable calculation notes and drawings have to be prepared taking account the relevant masonry in the region of the anchorage, the loads to be transmitted and their transmission to the supports of the structure. The position of the anchor is indicated on the design drawings.

Installation:

- Category d/d: - Installation and use in dry structures
- Category w/w: - Installation and use in dry and wet structures
- Category w/d: - Installation in wet structures and use in dry structures
- Hole drilling see Annex C (drilling method)
- In case of aborted hole: The hole shall be filled with mortar
- Bridging of unbearing layer (e.g. plaster) at perforated brick masonry see Annex B 6, Table B6.1
- Anchor installation carried out by appropriately qualified personnel and under the supervision of the person responsible for technical matters of the site
- Fastening screws or anchor rods (including nut and washer) must comply with the appropriate material and property class of the fischer internal threaded anchor FIS E.
- minimum curing time see Annex B 8, Table B8.2
- Commercial standard threaded rods, washers and hexagon nuts may also be used if the following requirements are fulfilled:

Material dimensions and mechanical properties of the metal parts according to the specifications are given in Annex A 5, Table 5.1

Conformation of material and mechanical properties of the metal parts by inspection certificate 3.1 according to EN 10204:2004, the documents shall be stored

Marking of the anchor rod with the envisage embedment depth. This may be done by the manufacturer of the rod or by a person on job site

fischer injection system FIS V for masonry

Intended Use
Specifications (part2 continued)

Annex B 3

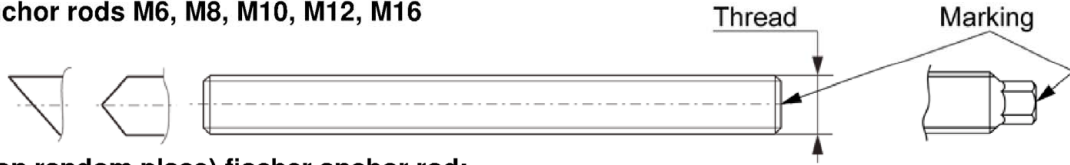
Appendix 9/ 131

Table B4.1: Installation parameters for anchor rods in solid bricks and autoclaved aerated concrete without perforated sleeves

Anchor rod	Thread	M6	M8	M10	M12	M16
Nominal drill hole diameter	d_0 [mm]	8	10	12	14	18
Effective anchorage depth $h_{ef}^{1)}$ in AAC cylindrical drill hole	$h_{0,min}=h_{ef,min}$ [mm]	100				
	$h_{0,max}=h_{ef,max}$ [mm]	200				
Effective anchorage depth $h_{ef}^{1)}$ in AAC conical drill hole	h_0 [mm]	-	$h_{ef} + 5$			-
	$h_{ef,1}$ [mm]		75			
	$h_{ef,2}$ [mm]		95			
Effective anchorage depth $h_{ef}^{1)}$ in solid brick (depth of drill hole $h_0 = h_{ef}$)	$h_{ef,min}$ [mm]	50				
	$h_{ef,max}$ [mm]	$h-30, \leq 200$				
Diameter of clearance hole in the fixture	pre-position $d_f \leq$ [mm]	7	9	12	14	18
	push through $d_f \leq$ [mm]	9	11	14	16	20
Diameter of cleaning brush	$d_b \geq$ [mm]	see Table B8.1				
Maximum installation torque	T_{inst} [Nm]	see parameters of brick				

¹⁾ $h_{ef,min} \leq h_{ef} \leq h_{ef,max}$ is possible.

fischer anchor rods M6, M8, M10, M12, M16



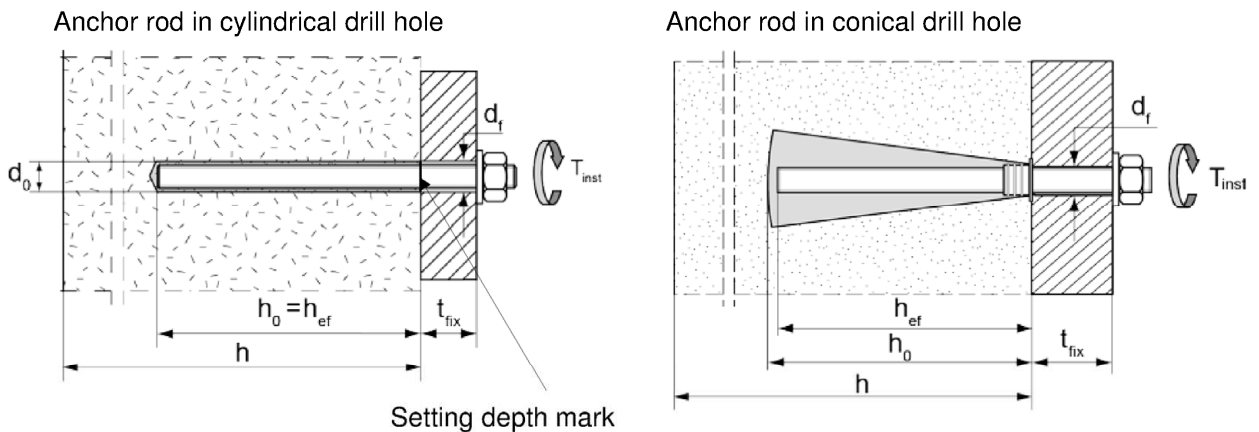
Marking (on random place) fischer anchor rod:

Steel zinc plated PC ¹⁾ 8.8	● or +	Steel hot-dip galvanised PC ¹⁾ 8.8	●
High corrosion resistant steel HCR PC ¹⁾ 50	●	High corrosion resistant steel HCR PC ¹⁾ 70	—
High corrosion resistant steel HCR PC ¹⁾ 80	(Stainless steel R property class 50	~
Stainless steel R property class 80	*		

Alternatively: Colour coding according to DIN 976-1: 2016; property class 4.6 marking according to EN ISO 898-1:2013

¹⁾ PC = property class

Installation conditions:



Pictures not to scale

fischer injection system FIS V for masonry

Intended Use
Installation parameters for anchor rods without perforated sleeve

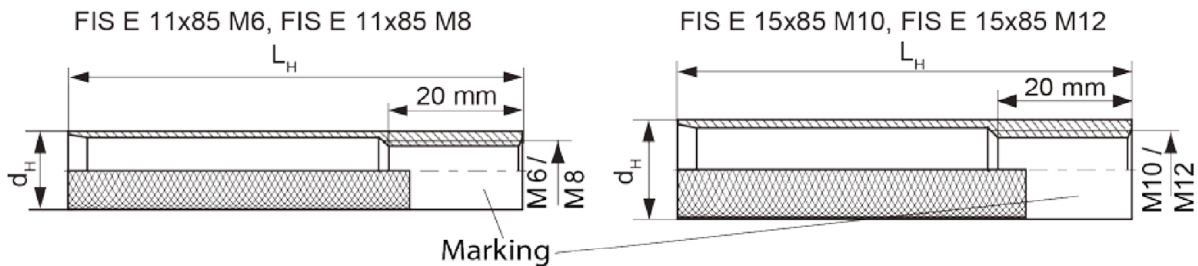
Annex B 4

Appendix 10/ 131

Table B5.1: Installation parameters for internal threaded anchors FIS E in solid bricks and autoclaved aerated concrete without perforated sleeves

Internal threaded anchor FIS E		11x85 M6	11x85 M8	15x85 M10	15x85 M12
Diameter of anchor	d_H [mm]	11		15	
Nominal drill hole diameter	d_0 [mm]	14		18	
Length of anchor	L_H [mm]	85			
Effective anchorage depth	$h_0 = h_{ef}$ [mm]	85			
Effective anchorage depth h_{ef} in AAC (conical drill hole)	h_0 [mm]	100		-	
	h_{ef} [mm]	85			
Diameter of cleaning brush	$d_b \geq$ [mm]	see Table B8.1			
Maximum installation torque	T_{inst} [Nm]	see parameters of brick			
Diameter of clearance hole in the fixture	d_f [mm]	7	9	12	14
	$l_{E,min}$ [mm]	6	8	10	12
Screw-in depth	$l_{E,max}$ [mm]	60			

fischer Internal threaded anchor FIS E

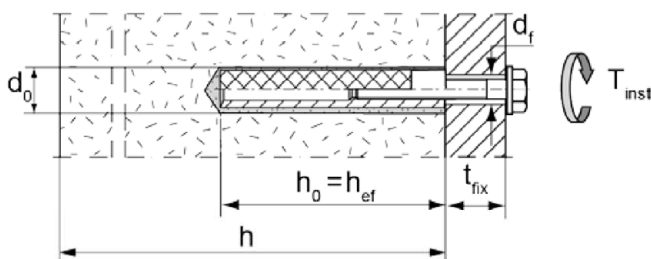


Marking:

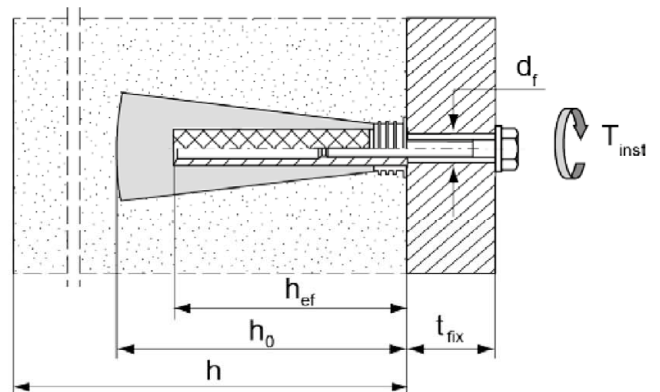
Size, e.g. **M8**, Stainless steel: R, e.g. **M8 R**, High corrosion-resistant steel: HCR, e.g. **M8 HCR**

Installation conditions:

Internal threaded anchor in cylindrical drill hole



Internal threaded anchor in conical drill hole



Pictures not to scale

fischer injection system FIS V for masonry

Intended Use

Installation parameters for internal threaded rods FIS E without perforated sleeve

Annex B 5

Table B6.1: Installation parameters for anchor rods and internal threaded anchors FIS E with perforated sleeves (pre-positioned anchorage)

perforated sleeve FIS H K		12x50	12x85 ²⁾	16x85	16x130 ²⁾	20x85	20x130 ²⁾	20x200 ²⁾
Nominal drill hole diameter $d_0 = D_{\text{sleeve, nom}}$	d_0 [mm]	12		16		20		
Depth of drill hole	h_0 [mm]	55	90	90	135	90	135	205
Effective anchorage depth	$h_{\text{ef, min}}$ [mm]	50	65	85	110	85	110	180
	$h_{\text{ef, max}}$ [mm]	50	85	85	130	85	130	200
Size of threaded rod	[-]	M6 und M8		M8 und M10		M12 und M16		
Size of internal threaded anchor FIS E		-	-	11x85	-	15x85	-	-
Diameter of cleaning brush ¹⁾	$d_b \geq$ [mm]	see Table B8.1						
Maximum installation torque	T_{inst} [Nm]	see parameters of brick						

¹⁾ Only for solid areas in hollow bricks and solid bricks.

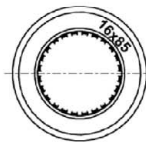
²⁾ Bridging of unbearing layer (e.g. plaster) is possible. When reducing the effective anchorage depth $h_{\text{ef, min}}$, the values of the next shorter perforated sleeve of the same diameter must be used. The smaller value of characteristic resistance must be taken.

Perforated sleeve

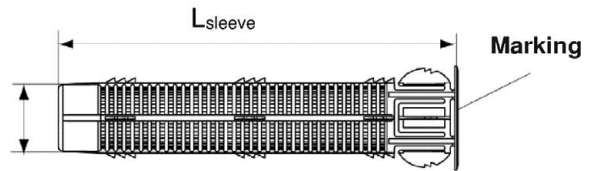
FIS H 12x50 K; FIS H 12x85 K; FIS H 16x85 K; FIS H 16x130 K;
FIS H 20x85 K; FIS H 20x130 K; FIS H 20x200 K

Marking:

Size $D_{\text{sleeve, nom}}$ X L_{sleeve}
(e.g.: 16x85)



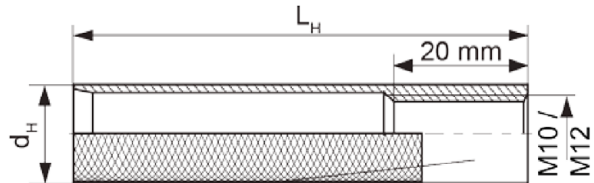
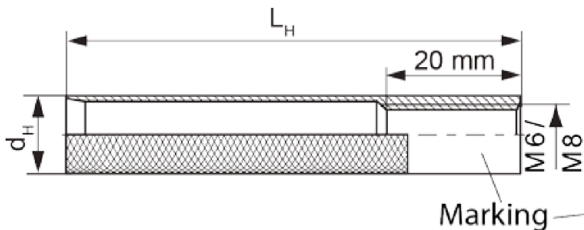
$D_{\text{sleeve, nom}}$



fischer Internal threaded anchor FIS E

FIS E 11x85 M6, FIS E 11x85 M8

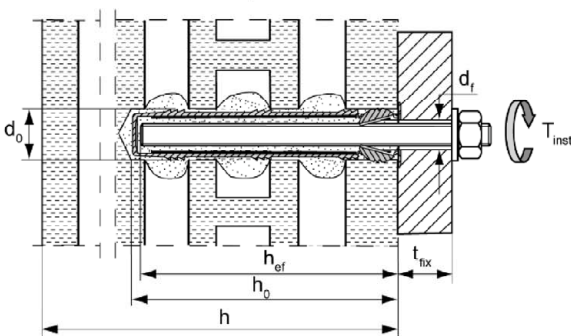
FIS E 15x85 M10, FIS E 15x85 M12



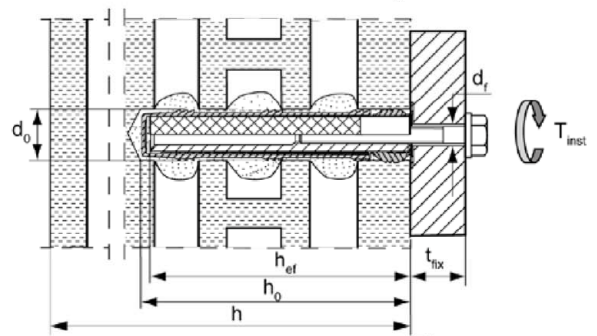
Marking

Installation conditions:

Anchor rod with perforated sleeve



Internal threaded anchor with perforated sleeve



Pictures not to scale

fischer injection system FIS V for masonry

Intended Use

Installation parameters for anchor rods and internal threaded anchors FIS E with perforated sleeve (pre-positioned anchorage)

Annex B 6

Appendix 12/ 131

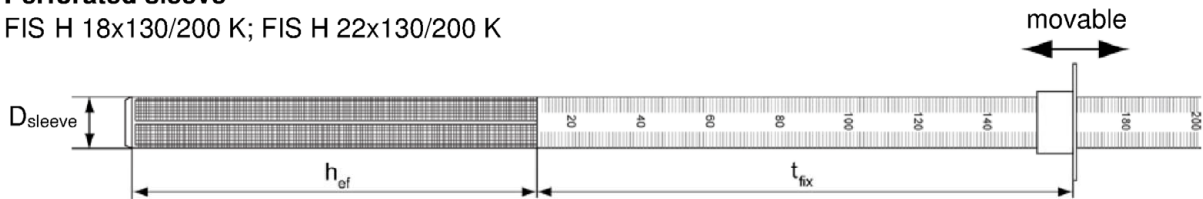
Table B7.1: Installation parameters for anchor rods with perforated sleeves (push through anchorage)

Perforated sleeve FIS H K		18x130/200		22x130/200	
Nominal sleeve diameter	$D_{\text{sleeve,nom}}$ [mm]	16		20	
Nominal drill hole diameter	d_0 [mm]	18		22	
Depth of drill hole	h_0 [mm]	135			
Effective anchorage depth	h_{ef} [mm]	≥ 130			
Diameter of cleaning brush ¹⁾	$d_b \geq$ [mm]	Siehe Tabelle B8.1			
Size of threaded rod	[-]	M10	M12	M16	
Maximum installation torque	T_{inst} [Nm]	see parameters of brick			
Thickness of fixture	$t_{\text{fix,max}}$ [mm]	200			

¹⁾ Only for solid areas in hollow bricks and solid bricks.

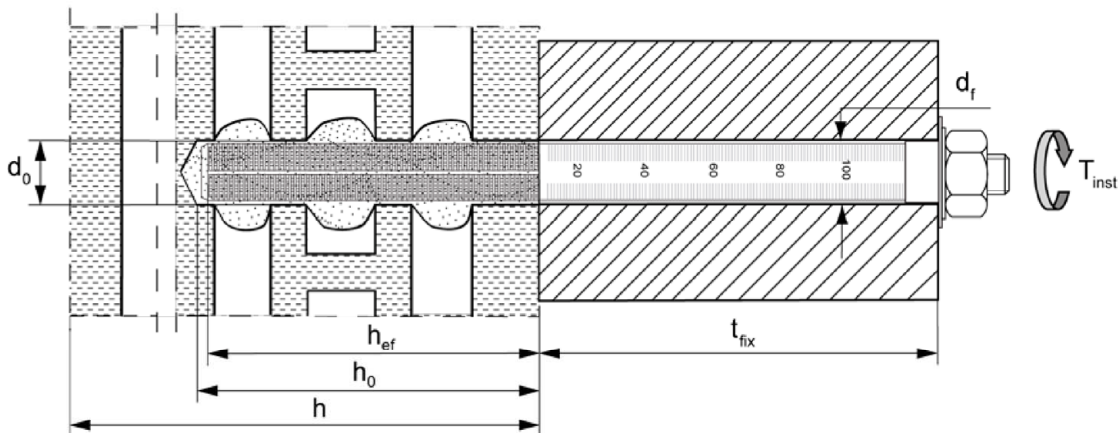
Perforated sleeve

FIS H 18x130/200 K; FIS H 22x130/200 K



Installation conditions:

Anchor rod with perforated sleeve



Pictures not to scale

fischer injection system FIS V for masonry

Intended Use

Installation parameters for anchor rods with perforated sleeves (push through anchorage)

Annex B 7

Appendix 13/ 131

Tabelle B8.1: Parameters of the cleaning brush BS (steel brush with steel bristles)

The size of the cleaning brush refers to the drill hole diameter

Drill hole diameter	d_0 [mm]	8	10	12	14	16	18	20	22
Brush diameter	d_b [mm]	9	11	14	16	20	20	25	25



Only for solid bricks and autoclaved aerated concrete

Table B8.2: Maximum processing times and minimum curing times
(During the curing time of the mortar the masonry temperature may not fall below the listed minimum temperature)

Temperature at anchoring base [°C]	Maximum processing time t_{work}			Minimum curing time t_{cure} ¹⁾		
	FIS VW High Speed ³⁾	FIS V ²⁾	FIS VS Low Speed ²⁾	FIS VW High Speed ³⁾	FIS V ²⁾	FIS VS Low Speed ²⁾
> 0 to 5	5 min	13 min	20 min	3 h	3 h	6 h
> 5 to 10	3 min	9 min	20 min	50 min	90 min	3 h
> 10 to 20	1 min	5 min	10 min	30 min	60 min	2 h
> 20 to 30	-	4 min	6 min	-	45 min	60 min
> 30 to 40	-	2 min	4 min	-	35 min	30 min

¹⁾ For wet bricks the curing time must be doubled

²⁾ Minimum cartridge temperature +5°C

³⁾ Minimum cartridge temperature ±0°C

Pictures not to scale

fischer injection system FIS V for masonry

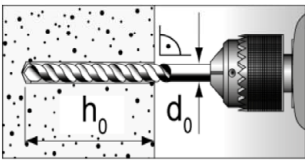
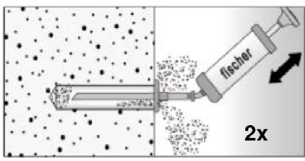
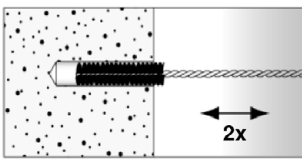
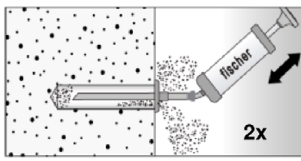
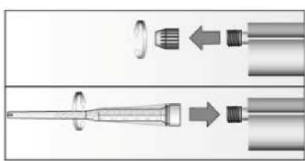
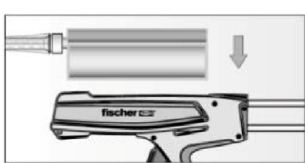
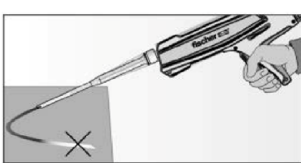
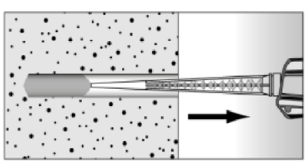
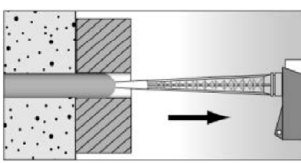
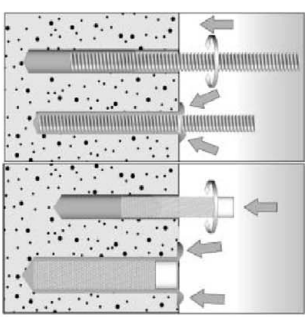

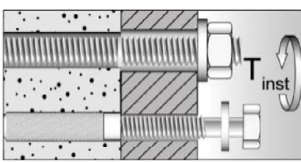
Intended use
Cleaning brush (steel brush)
Maximum processing times and minimum curing times

Annex B 8

Appendix 14/ 131

Installation instruction part 1

Installation in solid brick and autoclaved aerated concrete (without perforated sleeve)

1		<p>Drill the hole (drilling method see Annex C of the respective brick) depth of drill hole h_0 and drill hole diameter d_0 see Table B4.1; B5.1</p>	
2			 <p>Blow out the drill hole twice. Brush twice and blow out twice again.</p>
3		<p>Remove the sealing cap. Screw on the static mixer. (the spiral in the static mixer must be clearly visible)</p>	
4		<p>Place the cartridge into a suitable dispenser</p>	 <p>Press out approximately 10 cm of mortar until the resin is permanently grey in colour. Mortar which is not grey in colour will not cure and must be disposed of.</p>
5		<p>Fill approximately 2/3 of the drill hole with mortar beginning from the bottom of the hole¹⁾. Avoid bubbles!</p>	 <p>For push through anchorage fill the annular clearance with mortar.</p>
6		<p>Only use clean and oil-free metal parts. Mark the anchor rod for setting depth. Insert the anchor rod or internal threaded anchor FIS E by hand using light turning motions. When reaching the setting depth marking, excess mortar must emerge from the mouth of the drill hole.</p>	
7		<p>Do not touch. Minimum curing time see Table B8.2</p>	 <p>Mounting the fixture. T_{inst} see parameter of brick.</p>

¹⁾ Exact volume of mortar see manufacturer's specification.

fischer injection system FIS V for masonry

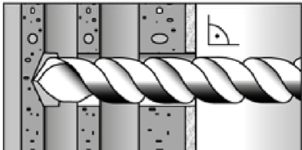
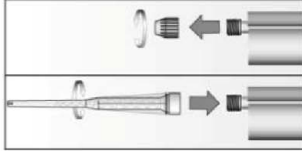
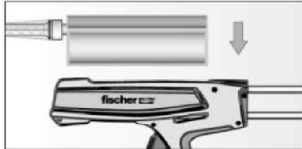

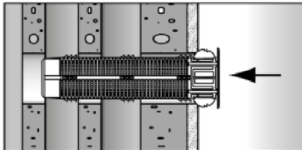
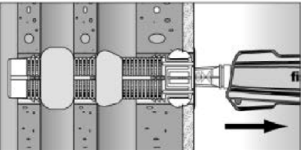
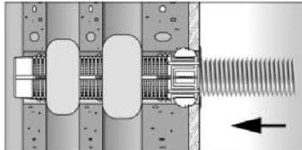

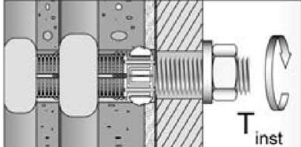
Intended use
Installation instruction (without perforated sleeve) part 1

Annex B 9

Appendix 15/ 131

Installation instruction part 2

Installation in perforated or solid brick with perforated sleeve (pre-positioned anchorage)

1		<p>Drill the hole (drilling method see Annex C of the respective brick). depth of drill hole h_0 and drill hole diameter d_0 see Table B6.1</p>	<p>When install perforated sleeves in solid bricks or solid areas of hollow bricks, also clean the hole by blowing out and brushing.</p>
2		<p>Remove the sealing cap. Screw on the static mixer. (the spiral in the static mixer must be clearly visible)</p>	
3		<p>Place the cartridge into a suitable dispenser.</p>	 <p>Press out approximately 10 cm of mortar until the resin is permanently grey in colour. Mortar which is not grey in colour will not cure and must be disposed of.</p>
4		<p>Insert the perforated sleeve flush with the surface of the masonry or plaster.</p>	 <p>Fill the perforated sleeve completely with mortar beginning from the bottom of the hole¹⁾.</p>
5		<p>Only use clean and oil-free metal parts. Mark the anchor rod for setting depth. Insert the anchor rod or the internal threaded anchor FIS E by hand using light turning motions until reaching the setting depth marking (anchor rod) or flush with the surface (internal threaded anchor).</p>	
6		<p>Do not touch. Minimum curing time see Table B8.2</p>	 <p>Mounting the fixture. T_{inst} see parameter of brick.</p>

¹⁾ Exact volume of mortar see manufacturer's specification.

fischer injection system FIS V for masonry

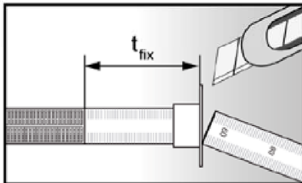
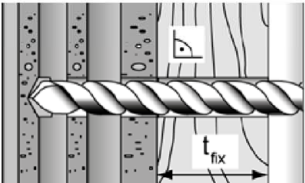
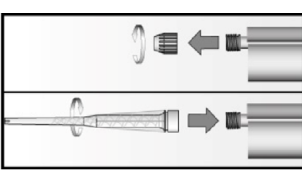
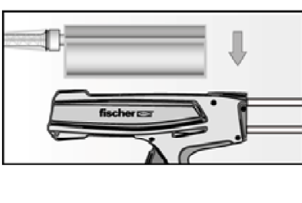
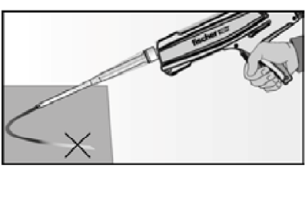
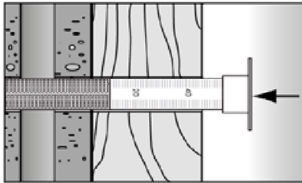
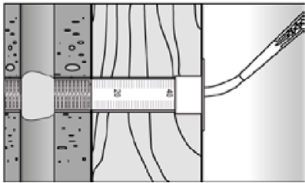
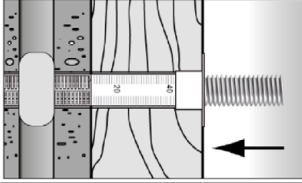

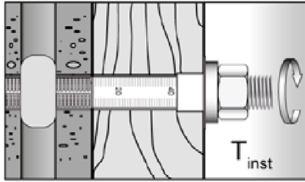
Intended use
Installation instruction (with perforated sleeve) part 2

Annex B 10

Appendix 16/ 131

Installation instruction part 3

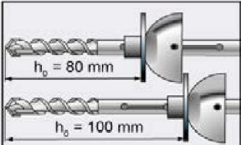
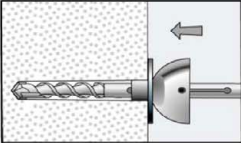
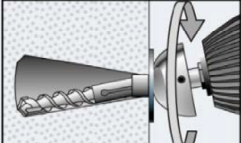
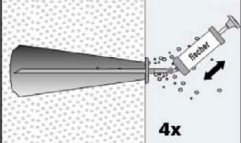
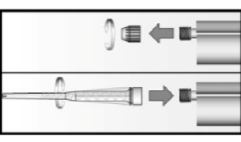
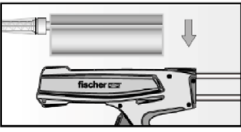
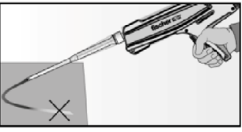
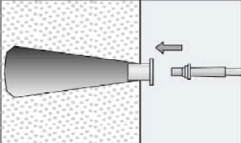
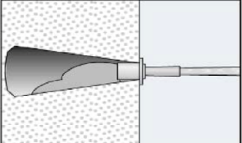
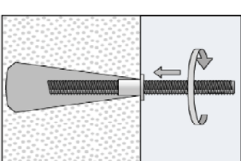
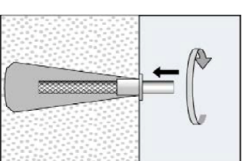

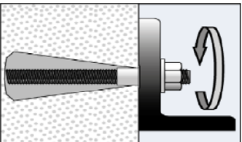
Installation in perforated or solid brick with perforated sleeve (push through anchorage)

1		<p>Push the movable stop up to the correct thickness of fixture and cut the overlap.</p>		<p>Drill the hole through the fixture. Depth of drill hole ($h_0 + t_{fix}$) and drill hole diameter see Table B7.1</p>
2		<p>Remove the sealing cap. Screw on the static mixer. (the spiral in the static mixer must be clearly visible)</p>		
3		<p>Place the cartridge into a suitable dispenser.</p>		<p>Press out approximately 10 cm of mortar until the resin is permanently grey in colour. Mortar which is not grey in colour will not cure and must be disposed of.</p>
4		<p>Insert the perforated sleeve flush with the surface of the fixture into the drill hole.</p>		<p>Fill the sleeve with mortar beginning from the bottom of the hole.¹⁾ For deep drill holes use an extension tube.</p>
5		<p>Only use clean and oil-free metal parts. Mark the anchor rod for setting depth. Insert the anchor rod or the internal threaded anchor FIS E by hand using light turning motions until reaching the setting depth marking (anchor rod) or flush with the surface (internal threaded anchor).</p>		
6		<p>Do not touch. Minimum curing time see Table B8.2</p>		<p>Mounting the fixture. T_{inst} see parameter of brick.</p>

¹⁾ Exact volume of mortar see manufacturer's specification.

Installation instruction part 4

Installation in autoclaved aerated concrete with special conic drill bit PBB
(pre-positioned anchorage)

1		<p>Position the movable drill bit arrester on the used drill hole depth (see Annex B 4, Table B4.1) For this, unlock the clamp screw and slide the arrester. Now fix the clamp screw.</p>	
2		<p>Drill the cylindrical hole with rotating drill until the arrester contact the material surface. (drilling method see Annex C of the respective brick)</p>	
3		<p>Deviate the working power drill circulate to generate an conic undercut in the material.</p>	
4		<p>Blow out the drill hole four times.</p>	
5		<p>Remove the sealing cap. Screw on the static mixer. (the spiral in the static mixer must be clearly visible)</p>	
6		<p>Place the cartridge into a suitable dispenser.</p>	 <p>Press out approximately 10 cm of mortar until the resin is permanently grey in colour. Mortar which is not grey in colour will not cure and must be disposed of.</p>
7		<p>Put the center sleeve into the drill hole and adapt the injection adapter onto the static mixer.</p>	 <p>Fill the drill hole with injection mortar.</p>
8			<p>Only use clean and oil-free metal parts. Mark the anchor rod for setting depth. Insert the anchor rod or internal threaded anchor FIS E by hand using light turning motions. When reaching the setting depth marking, excess mortar must emerge from the mouth of the drill hole.</p>
9		<p>Do not touch. Minimum curing time see Table B8.2</p>	 <p>Mounting the fixture. T_{inst} see parameter of brick.</p>

fischer injection system FIS V for masonry

Intended use

Installation instruction for autoclaved aerated concrete with special conic drill bit PBB
(pre-positioned anchorage) part 4

Annex B 12

Appendix 18/ 131

Table B13.1: Overview of controlled bricks (part 1)

Kind of masonry	Brick format [mm]	Compressive strength f_b [N/mm ²]	Producing country	Density ρ [kg/dm ³]	Annex
Solid brick Mz					
Solid brick Mz	NF $\geq 240 \times 115 \times 71$	12 - 20	Germany	$\geq 1,8$	C4 - C7
	2DF $\geq 240 \times 115 \times 113$	10 - 16	Germany	$\geq 1,8$	C8/C9
	$\geq 245 \times 118 \times 54$	10 - 20	Italy	$\geq 1,8$	C10/C11
	$\geq 230 \times 108 \times 55$	10 - 20	Denmark	$\geq 1,8$	C12/C13
Solid sand- lime brick KS / perforated Sand- lime brick KSL					
Solid sand - lime brick KS	NF $\geq 240 \times 115 \times 71$	12 - 28	Germany	$\geq 2,0$	C14/C15
	8DF $\geq 250 \times 240 \times 240$	10 - 28	Germany	$\geq 2,0$	C16/C17
	$\geq 997 \times 214 \times 538$	10 - 36	Netherlands	$\geq 1,8$	C18/C19
Perforated sand - lime brick KSL	3DF $240 \times 175 \times 113$	8 - 20	Germany	$\geq 1,4$	C20 - C23
Vertical perforated brick HLz					
Vertical perforated brick HLz	$370 \times 240 \times 237$	4 - 12	Germany	$\geq 1,0$	C24/C25
	$500 \times 175 \times 237$	4 - 12	Germany	$\geq 1,0$	C24/C25
	2DF $240 \times 115 \times 113$	6 - 28	Germany	$\geq 1,4$	C26/C27
	$248 \times 365 \times 248$	4 - 8	Germany	$\geq 0,6$	C28 - C31
	$248 \times 365 \times 249$	8 - 12	Germany	$\geq 0,7$	C32 - C35
	$248 \times 365 \times 249$	4 - 6	Germany	$\geq 0,5$	C36 - C39
	$248 \times 425 \times 248$	4 - 8	Germany	$\geq 0,8$	C40 - C43
	$248 \times 425 \times 248$	4 - 8	Germany	$\geq 0,6$	C44 - C47
	$500 \times 200 \times 315$	4 - 8	France	$\geq 0,6$	C48 - C51
	$500 \times 200 \times 300$	4 - 10	France	$\geq 0,7$	C52 - C55
	$500 \times 200 \times 315$	2 - 8	France	$\geq 0,7$	C56 - C59
	$560 \times 200 \times 275$	4 - 8	France	$\geq 0,7$	C60/C61
	$255 \times 120 \times 118$	2 - 12	Italy	$\geq 1,0$	C62 - C64
	$275 \times 130 \times 94$	6 - 20	Spain	$\geq 0,8$	C65/C66
	$220 \times 190 \times 290$	6 - 10	Portugal	$\geq 0,7$	C67 - C70
	$253 \times 300 \times 240$	2 - 6	Austria	$\geq 0,8$	C71 - C74
	$250 \times 440 \times 250$	6 - 10	Austria	$\geq 0,7$	C75 - C78
	$230 \times 108 \times 55$	2 - 8	Denmark	$\geq 1,4$	C79/C80
Horizontal perforated brick LLz					
Horizontal perforated brick LLz	$248 \times 78 \times 250$	2 - 6	Italy	$\geq 0,7$	C81/C82
	$128 \times 88 \times 275$	2	Spain	$\geq 0,8$	C83/C84
Light-weight concrete hollow block Hbl					
Light-weight concrete hollow block Hbl	$362 \times 240 \times 240$	2 - 4	Germany	$\geq 1,0$	C85 - C88
	$500 \times 200 \times 200$	2 - 6	France	$\geq 1,0$	C89/C90
	$440 \times 215 \times 215$	4 - 10	Ireland	$\geq 1,2$	C91 - C94
fischer injection system FIS V for masonry					Annex B 13 Appendix 19/ 131
Intended use Overview of controlled bricks (part 1)					

Table B14.1: Overview of controlled bricks (part 2)

Kind of masonry	Brick format [mm]	Compressive strength f_b [N/mm ²]	Producing country	Density ρ [kg/dm ³]	Annex
Light-weight concrete solid block Vbl					
Light-weight concrete solid block Vbl	$\geq 372 \times 300 \times 254$	2	Germany	$\geq 0,6$	C95/C96
	$\geq 250 \times 240 \times 239$	4 - 8	Germany	$\geq 1,6$	C97 - C100
	$\geq 440 \times 100 \times 215$	4 - 10	Ireland	$\geq 2,0$	C101/C102
	$\geq 440 \times 95 \times 215$	6 - 12	England	$\geq 2,0$	C103/C104
Autoclaved aerated concrete (AAC)					
PP2 / AAC	-	2	Germany	0,35	C105 - C109
PP4 / AAC	-	4	Germany	0,5	C105 - C109
PP6 / AAC	-	6	Germany	0,65	C105 - C109

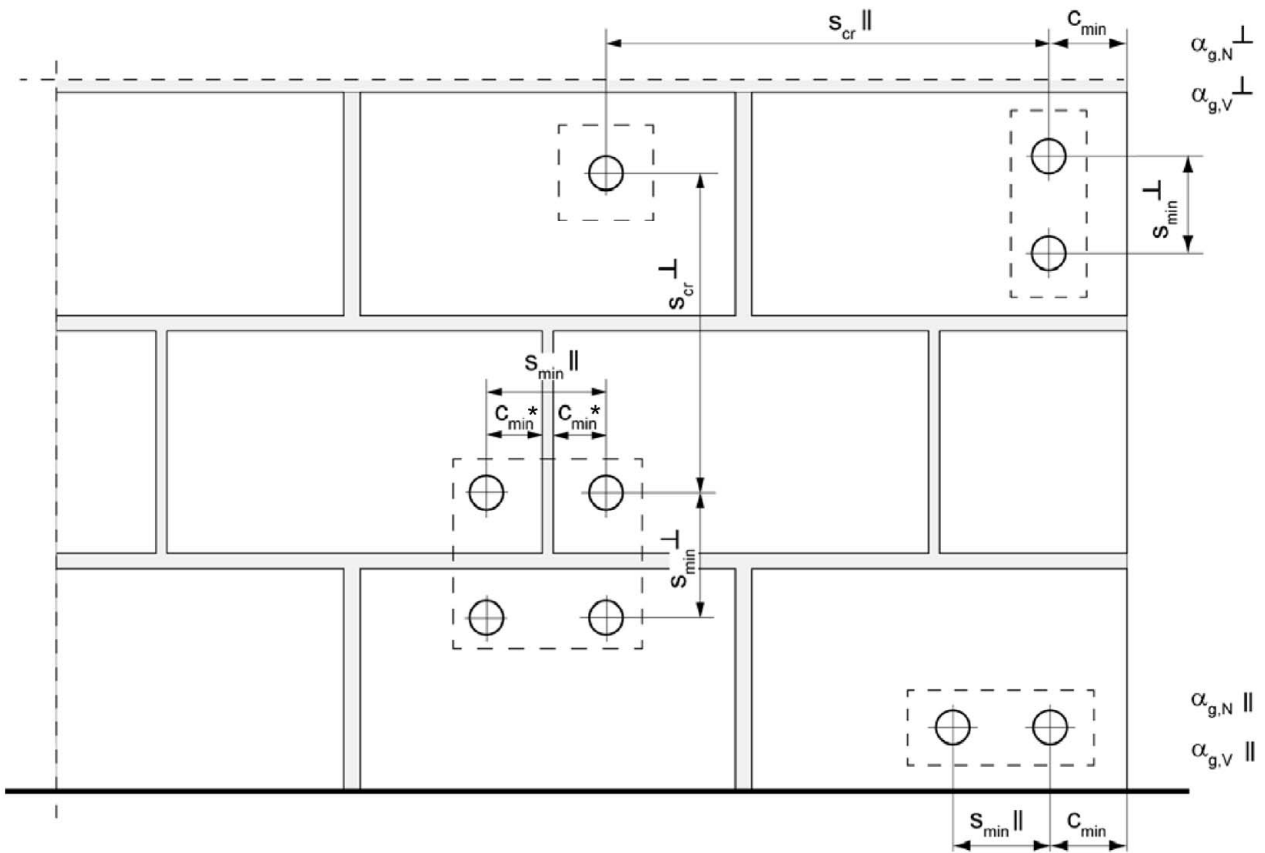
fischer injection system FIS V for masonry

Intended use
Overview of controlled bricks (part 2)

Annex B 14

Appendix 20/ 131

Spacing and edge distance



* Only, if vertical joints are not completely filled with mortar

- $s_{min \parallel}$ = Minimum spacing parallel to bed joint
- $s_{min \perp}$ = Minimum spacing vertical to bed joint
- $s_{cr \parallel}$ = Characteristic spacing parallel to bed joint
- $s_{cr \perp}$ = Characteristic spacing vertical to bed joint
- $C_{cr} = C_{min}$ = Edge distance
- $\alpha_{g,N \parallel}$ = Group factor for tensile load, anchor group parallel to bed joint
- $\alpha_{g,V \parallel}$ = Group factor for shear load, anchor group parallel to bed joint
- $\alpha_{g,N \perp}$ = Group factor for tensile load, anchor group vertical to bed joint
- $\alpha_{g,V \perp}$ = Group factor for shear load, anchor group vertical to bed joint

For $s \geq s_{cr}$ $\alpha_g = 2$

For $s_{min} \leq s < s_{cr}$ α_g according to installation parameters of brick

$N^{g_{RK}} = \alpha_{g,N} \cdot N_{RK}$; $V^{g_{RK}} = \alpha_{g,V} \cdot V_{RK}$ (Group of 2 anchors)

$N^{g_{RK}} = \alpha_{g,N \parallel} \cdot \alpha_{g,N \perp} \cdot N_{RK}$; $V^{g_{RK}} = \alpha_{g,V \parallel} \cdot \alpha_{g,V \perp} \cdot V_{RK}$ (Group of 4 anchors)

fischer injection system FIS V for masonry

Intended use
Spacing and edge distance

Annex B 15

Appendix 21/ 131

Table C1.1: Characteristic values for the **steel bearing capacity** of **anchor rods** under tensile load

Anchor rod			M6	M8	M10	M12	M16	
Bearing capacity under tensile load, steel failure								
Characteristic resistance $N_{Rk,s}$	Steel zinc plated	Property class	4.6	8	15(13)	23(21)	33	63
			4.8	8	15(13)	23(21)	33	63
			5.8	10	19(17)	29(27)	43	79
	Stainless steel R and High corrosion resistant steel HCR		8.8	16	29(27)	47(43)	68	126
			50	10	19	29	43	79
			70	14	26	41	59	110
			80	16	30	47	68	126

Partial factors ¹⁾								
Partial factor $\gamma_{Ms,N}$	Steel zinc plated	Property class	4.6	[-]	2,00			
			4.8		1,50			
			5.8		1,50			
	Stainless steel R and High corrosion resistant steel HCR		8.8		1,50			
			50		2,86			
			70		1,50 ²⁾ / 1,87			
			80		1,60			

¹⁾ In absence of other national regulations

²⁾ Only for fischer FIS A made of high corrosion-resistant steel HCR

³⁾ Values in brackets are valid for undersized threaded rods with smaller stress area A_s for hot dip galvanised standard threaded rods according to EN ISO 10684:2004+AC:2009

fischer injection system FIS V for masonry

Performance

Characteristic steel bearing capacity of anchor rods under tensile load

Annex C 1

Table C2.1: Characteristic values for the **steel bearing capacity** of anchor rods under shear load

Anchor rod		M6	M8	M10	M12	M16		
Bearing capacity under shear load, steel failure								
without lever arm								
Characteristic resistance $V_{Rk,s}$	Steel zinc plated	4.6	[kN]	4	9(8)	14(13)	20	38
		4.8		4	9(8)	14(13)	20	38
		5.8		6	11(10)	17(16)	25	47
		8.8		8	15(13)	23(21)	34	63
	Stainless steel R and High corrosion resistant steel HCR	50		5	9	15	21	39
		70		7	13	20	30	55
		80		8	15	23	34	63
with lever arm								
Characteristic resistance $M_{Rk,s}^0$	Steel zinc plated	4.6	[Nm]	6	15(13)	30(27)	52	133
		4.8		6	15(13)	30(27)	52	133
		5.8		7	19(16)	37(33)	65	166
		8.8		12	30(26)	60(53)	105	266
	Stainless steel R and High corrosion resistant steel HCR	50		7	19	37	65	166
		70		10	26	52	92	232
		80		12	30	60	105	266
Partial factors¹⁾								
Partial factor $\gamma_{Ms,V}$	Steel zinc plated	4.6	[-]	1,67				
		4.8		1,25				
		5.8		1,25				
		8.8		1,25				
	Stainless steel R and High corrosion resistant steel HCR	50		2,38				
		70		1,25 ²⁾ / 1,56				
		80		1,33				

¹⁾ In absence of other national regulations

²⁾ Only for fischer FIS A made of high corrosion-resistant steel HCR

³⁾ Values in brackets are valid for undersized threaded rods with smaller stress area A_s for hot dip galvanised standard threaded rods according to EN ISO 10684:2004+AC:2009.

fischer injection system FIS V for masonry

Performance

Characteristic steel bearing capacity of anchor rods under shear load

Annex C 2

Table C3.1: Characteristic values for the **steel bearing capacity of internal threaded anchors FIS E** under tensile / shear load

fischer internal threaded anchor FIS E				M6	M8	M10	M12	
Bearing capacity under tensile load, steel failure								
Characteristic resistance with screw	$N_{Rk,s}$	Property class 5.8	[kN]	10	18	29	42	
		Property class 70		R	14	26	41	59
		HCR		14	26	41	59	
Partial factors¹⁾								
Partial factor	$\gamma_{Ms,N}$	Property class 5.8	[-]	1,50				
		Property class 70		R	1,87			
		HCR		1,87				
Bearing capacity under shear load, steel failure								
without lever arm								
Characteristic resistance with screw	$V_{Rk,s}$	Property class 5.8	[kN]	5	9	15	21	
		Property class 70		R	7	13	20	30
		HCR		7	13	20	30	
with lever arm								
Characteristic resistance	$M^0_{Rk,s}$	Property class 5.8	[Nm]	8	19	37	65	
		Property class 70		R	11	26	52	92
		HCR		11	26	52	92	
Partial factors¹⁾								
Partial factor	$\gamma_{Ms,V}$	Property class 5.8	[-]	1,25				
		Property class 70		R	1,56			
		HCR		1,56				

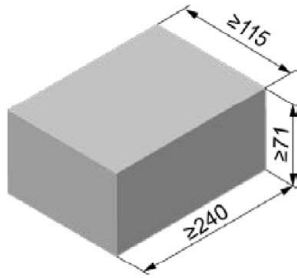
¹⁾ In absence of other national regulations

fischer injection system FIS V for masonry

Performance

Characteristic steel bearing capacity of fischer internal threaded anchor FIS E

Annex C 3

Solid brick Mz, NF, EN 771-1


Solid brick Mz, NF, EN 771-1			
Producer	e.g. Wienerberger		
Nominal dimensions [mm]	length L ≥ 240	width W ≥ 115	height H ≥ 71
Density ρ [kg/dm ³]	≥ 1,8		
Compressive strength f_b [N/mm ²]	12 / 20		
Standard or annex	EN 771-1		

Table C4.1: Installation parameters for edge distance $c=100\text{mm}$

Anchor rod		M6	M8	M10	M12	-		-		
Internal threaded anchor FIS E		-	-	-	-	M6	M8	M10	M12	
						11x85		15x85		
Anchor rod and internal threaded anchor FIS E without perforated sleeve										
Effective anchorage depth	h_{ef}	[mm]	50	50	50	50	85			
			80	80	80	80				
			200	200	200	200				
Max. installation torque	T_{inst}	[Nm]	4	10			4	10		
General installation parameters										
Edge distance	C_{min}	[mm]	100				100			
Edge distance $h_{ef}=200$	C_{min}		150				- ¹⁾			
Spacing	$S_{min II,N}$		60				60			
	$h_{ef}=200 S_{min II,N}$		240				- ¹⁾			
	$S_{min II,V}$		240				240			
	$S_{cr II}$		240				240			
	$S_{cr \perp} = S_{min \perp}$		75				75			
Drilling method										
Hammer drilling with hard metal hammer drill										

¹⁾ No performance assessed

Table C4.2: Group factors

Anchor rods		M6	M8	M10	M12	-		-		
Internal threaded anchor FIS E		-	-	-	-	M6	M8	M10	M12	
						11x85		15x85		
Edge distance	C_{min}	[mm]	100							
Group factor	$\alpha_{g,N II}$	[-]					1,5			
	$\alpha_{g,V II}$						2,0			
	$h_{ef}=200 \alpha_{g,N II}$						1,5			
	$h_{ef}=200 \alpha_{g,V II}$						2,0			
	$\alpha_{g,N \perp}$						2,0			
	$\alpha_{g,V \perp}$						2,0			
	$h_{ef}=200 \alpha_{g,N \perp}$						2,0			
	$h_{ef}=200 \alpha_{g,V \perp}$						2,0			

fischer injection system FIS V for masonry

Performance
 Solid brick Mz, NF, dimensions, installation parameters $c=100\text{mm}$
Annex C 4

Appendix 25/ 131

Solid brick Mz, NF, EN 771-1

Table C5.1: Characteristic resistance under tensile load for edge distance $c=100\text{mm}$

Anchor rod		M6	M8	M10			M12			-		-	
Internal threaded anchor FIS E		-	-	-			-			M6	M8	M10	M12
										11x85		15x85	
Tensile load N_{Rk} [kN] depending on the compressive strength f_b (temperature range 50/80°C)													
compressive strength f_b	use categorie	Effective anchorage depth h_{ef} [mm]											
		≥ 50	≥ 50	50	80	200	50	80	200	85			
12N/mm ²	w/w w/d	2,5	2,5	2	3	7,5	2	3,5	5	3,5			
	d/d	4	4	3,5	5	12	3	5,5	8	5,5			
20N/mm ²	w/w w/d	3,5	3,5	3	4,5	11	3	5	7	5			
	d/d	5,5	5,5	5	7	12	4,5	8	11,5	8			

Factor for temperature range 72/120°C: 0,83

Table C5.2: Characteristic resistance under shear load for edge distance $c=100\text{mm}$

Anchor rod		M6	M8	M10			M12			-		-	
Internal threaded anchor FIS E		-	-	-			-			M6	M8	M10	M12
										11x85		15x85	
Shear load V_{Rk} [kN] depending on the compressive strength f_b (temperature range 50/80°C and 72/120°C)													
compressive strength f_b	use categorie	Effective anchorage depth h_{ef} [mm]											
		≥ 50	≥ 50	≥ 50	200	≥ 50	200	85					
12N/mm ²	w/w w/d	2,5	2,5	4	8,5	4	11,5	2,5					
	d/d												
20N/mm ²	w/w w/d	4,0	4,0	6	12	5,5	12	4					
	d/d												

Factor for job site tests and displacements see annex C110

fischer injection system FIS V for masonry

Performance

Solid brick Mz, NF, Characteristic resistance under tensile and shear load $c=100\text{mm}$

Annex C 5

Solid brick Mz, NF, EN 771-1

Table C6.1: Installation parameters for edge distance $c=60\text{mm}$

Anchor rod		M6	M8	M10	M12	M16	-	-	
Internal threaded anchor FIS E		-	-	-	-	-	M6	M8	
		11x85		15x85		M10	M12		
Anchor rod and internal threaded anchor FIS E without perforated sleeve									
Effective anchorage depth	h_{ef} [mm]	50	50	50	50	50	85		
		100	100	100	100	100			
		200	200	200	200	200			
Max. installation torque	T_{inst} [Nm]	4	10				4	10	
General installation parameters									
Edge distance	c_{min}					60			
Edge distance $h_{ef}=200$	c_{min}					60			
Spacing	$s_{min II,N}$					80			
	$h_{ef}=200 s_{min II,N}$					80			
	$s_{min II,V}$					80			
	$s_{cr II}$					$3x h_{ef}$			
	$s_{min \perp}$					80			
	$s_{cr \perp}$					$3x h_{ef}$			
Drilling method									
Hammer drilling with hard metal hammer drill									

Table C6.2: Group factors

Anchor rods		M6	M8	M10	M12	M16	-	-	
Internal threaded anchor FIS E		-	-	-	-	-	M6	M8	
		11x85		15x85		M10	M12		
Edge distance	c_{min} [mm]					60			
Group factor	$\alpha_{g,N II}$					0,6			
	$\alpha_{g,V II}$					1,3			
	$h_{ef}=200 \alpha_{g,N II}$					1,4			
	$h_{ef}=200 \alpha_{g,V II}$					1,5			
	$\alpha_{g,N \perp}$					0,3			
	$\alpha_{g,V \perp}$					1,3			
	$h_{ef}=200 \alpha_{g,N \perp}$					2,0			
	$h_{ef}=200 \alpha_{g,V \perp}$					1,1			

fischer injection system FIS V for masonry

Performance

Solid brick Mz, NF, dimensions, installation parameters $c=60\text{mm}$

Annex C 6

Solid brick Mz, NF, EN 771-1
Table C7.1: Characteristic resistance under tensile load for edge distance $c=60\text{mm}$

Anchor rod		M6	M8	M10			M12			M16			-		-	
Internal threaded anchor FIS E		-	-	-			-			-			M6	M8	M10	M12
													11x85		15x85	
Tensile load N_{Rk} [kN] depending on the compressive strength f_b (temperature range 50/80°C)																
compressive strength f_b	use category		Effective anchorage depth h_{ef} [mm]													
			50	100	50	100	50	100	200	50	100	200	50	100	200	85
12N/mm ²	w/w	w/d	1,5	2,0	2,0	2,0	2,5	- ¹⁾	2,0	2,5	- ¹⁾	2,0	5,5	- ¹⁾	- ¹⁾	
	d/d		2,5	3,0	4,0	3,0	4,0	9,5	3,0	4,0	9,5	3,0	8,5	9,5	- ¹⁾	
20N/mm ²	w/w	w/d	2,0	2,5	3,0	2,5	3,5	- ¹⁾	3,0	3,5	- ¹⁾	3,0	7,5	- ¹⁾	- ¹⁾	
	d/d		3,5	4,5	5,5	4,5	5,5	12	4,5	5,5	12	4,5	12	12	- ¹⁾	
28N/mm ²	w/w	w/d	2,5	3,0	4,0	3,0	4,0	- ¹⁾	3,5	4,0	- ¹⁾	3,5	9,0	- ¹⁾	- ¹⁾	
	d/d		4,0	5,5	6,5	5,5	6,5	12	5,5	6,5	12	5,5	12	12	- ¹⁾	

¹⁾ No performance assessed

Factor for temperature range 72/120°C: 0,83

Table C7.2: Characteristic resistance under shear load for edge distance $c=60\text{mm}$

Anchor rod		M6	M8	M10			M12			M16			-		-		
Internal threaded anchor FIS E		-	-	-			-			-			M6	M8	M10	M12	
													11x85		15x85		
Shear load V_{Rk} [kN] depending on the compressive strength f_b (temperature range 50/80°C and 72/120°C)																	
compressive strength f_b	use category		Effective anchorage depth h_{ef} [mm]														
			50	100	50	100	50	100	200	50	100	200	50	100	200	85	
12N/mm ²	w/w	w/d	1,2	2,5	1,2	3,0	2,0	3,0	1,5	1,5	3,0	3,0	0,6	3,0	4,5	- ¹⁾	
	d/d		1,2	2,5	1,2	3,0	2,0	3,0	1,5	1,5	3,0	3,0	0,6	3,0	4,5	- ¹⁾	
20N/mm ²	w/w	w/d	1,5	3,5	1,5	4,5	3,0	4,5	2,5	2,0	4,5	4,5	0,9	4,5	6,0	- ¹⁾	
	d/d		1,5	3,5	1,5	4,5	3,0	4,5	2,5	2,0	4,5	4,5	0,9	4,5	6,0	- ¹⁾	
28N/mm ²	w/w	w/d	2,0	4,0	2,0	5,0	3,5	5,0	3,0	2,5	5,0	5,0	1,2	5,0	7,5	- ¹⁾	
	d/d		2,0	4,0	2,0	5,0	3,5	5,0	3,0	2,5	5,0	5,0	1,2	5,0	7,5	- ¹⁾	

¹⁾ No performance assessed

Factor for job site tests and displacements see annex C110

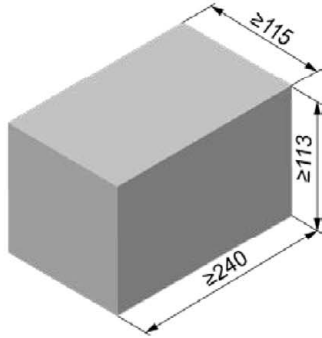
fischer injection system FIS V for masonry

Performance

 Solid brick Mz, NF, Characteristic resistance under tensile and shear load $c=60\text{mm}$
Annex C 7

Appendix 28/ 131

Solid brick Mz, 2DF, EN 771-1



Solid brick Mz, 2DF, EN 771-1			
Producer	e.g. Wienerberger		
Nominal dimensions [mm]	length L	width W	height H
	≥ 240	≥ 115	≥ 113
Density ρ [kg/dm ³]	≥ 1,8		
Compressive strength f_b [N/mm ²]	10 / 16		
Standard or annex	EN 771-1		

Table C8.1: Installation parameters

Anchor rod		M6		M8		M10		M12		M16		-		-		
Internal threaded anchor FIS E		-		-		-		-		-		M6 M8		M10 M12		
												11x85		15x85		
Anchor rod and internal threaded anchor FIS E without perforated sleeve																
Effective anchorage depth	h_{ef}	[mm]	50	100	50	100	50	100	50	100	50	100	85			
Max. installation torque	T_{inst}	[Nm]	4		10						4		10			
Anchor rod and internal threaded anchor FIS E with perforated sleeve FIS H 16x85 K																
Effective anchorage depth	h_{ef}	[mm]	_1)		85				_1)				85		_1)	
Max. installation torque	T_{inst}	[Nm]			10								4 10			
General installation parameters																
Edge distance	c_{min}	[mm]							60							
Spacing	$s_{min \parallel}$								120							
	$s_{cr \parallel}$								240							
	$s_{cr \perp} = s_{min \perp}$								115							
Drilling method																
Hammer drilling with hard metal hammer drill																

¹⁾ No performance assessed

Table C8.2: Group factors

Anchor rods		M6		M8		M10		M12		M16		-		-	
Internal threaded anchor FIS E		-		-		-		-		-		M6 M8		M10 M12	
												11x85		15x85	
Group factor	$\alpha_{g,N \parallel}$	[-]							1,5						
	$\alpha_{g,V \parallel}$								1,4						
	$\alpha_{g,N \perp}$								2						
	$\alpha_{g,V \perp}$														

fischer injection system FIS V for masonry

Performance

Solid brick Mz, 2DF, dimensions, installation parameters

Annex C 8

Solid brick Mz, 2DF, EN 771-1

Table C9.1: Characteristic resistance under tensile load

Anchor rod	M6	M8	M10	M12	M16	-	-	M8	M10	-			
Internal threaded anchor FIS E	-	-	-	-	-	M6	M8	M10	M12	-	-	M6	M8
						11x85	15x85					11x85	
Perforated sleeve FIS H K	-	-	-	-	-	-	-	16x85					

Tensile load N_{Rk} [kN] depending on the compressive strength f_b (temperature range 50/80°C)

compressive strength f_b	use category	Effective anchorage depth h_{ef} [mm]												
		50	100	50	100	50	100	50	100	50	100	50	100	
10N/mm ²	w/w	1,5	2,5	1,5	2,5	1,5	3	2	3,5	2	3,5	2		1,5
	d/d	3	4,0	3,0	4,0	3,0	4,5	3	5,5	3	5,5	3		3
16N/mm ²	w/w	2,5	4	2,5	4	2,5	4,5	3,5	5,5	3,5	5,5	3,5		2,5
	d/d	4,5	7,0	4,5	7,0	4,5	7,5	5,5	8	5,5	8	5,5		4,5

Factor for temperature range 72/120°C: 0,83

Table C9.2: Characteristic resistance under shear load

Anchor rod	M6	M8	M10	M12	M16	-	-	M8	M10	-			
Internal threaded anchor FIS E	-	-	-	-	-	M6	M8	M10	M12	-	-	M6	M8
						11x85	15x85					11x85	
Perforated sleeve FIS H K	-	-	-	-	-	-	-	16x85					

Shear load V_{Rk} [kN] depending on the compressive strength f_b (temperature range 50/80°C and 72/120°C)

compressive strength f_b	use category	Effective anchorage depth h_{ef} [mm]												
		≥ 50						85						
10N/mm ²	w/w	2,5	3,0	3,0	3,5	3,0	2,5	3,0	3,0	3,0	3,0	3,5	2,5	3,0
	d/d													
16N/mm ²	w/w	4,0	5,0	5,5	5,5	5,0	4,0	5,0	5,0	5,0	5,0	6,0	4,0	5,0
	d/d													

Factor for job site tests and displacements see annex C110

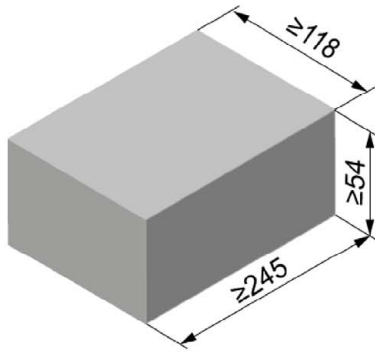
fischer injection system FIS V for masonry

Performance

Solid brick Mz, 2DF, Characteristic resistance under tensile and shear load

Annex C 9

Solid brick Mz, EN 771-1



Solid brick Mz, EN 771-1			
Producer	e.g. Nigra		
Nominal dimensions [mm]	length L	width W	height H
	≥ 245	≥ 118	≥ 54
Density ρ [kg/dm ³]	≥ 1,8		
Compressive strength f_b [N/mm ²]	10 / 20		
Standard or annex	EN 771-1		

Table C10.1: Installation parameters

Anchor rod	M6	M8	M10	M12	M16	-	-			
Internal threaded anchor FIS E	-	-	-	-	-	M6	M8	M10	M12	
							11x85		15x85	
Anchor rod and internal threaded anchor FIS E without perforated sleeve										
Effective anchorage depth h_{ef} [mm]	50	100	50	100	50	100	50	100	85	
Max. installation torque T_{inst} [Nm]	4		10				4	10		
General installation parameters										
Edge distance c_{min}					60					
Spacing	$s_{cr \parallel} = s_{min \parallel}$ [mm]				245					
	$s_{cr \perp} = s_{min \perp}$				60					
Drilling method										
Hammer drilling with hard metal hammer drill										

Table C10.2: Group factors

Anchor rods	M6	M8	M10	M12	M16	-	-			
Internal threaded anchor FIS E	-	-	-	-	-	M6	M8	M10	M12	
							11x85		15x85	
Group factor	$\alpha_{g,N \parallel}$	[-]								
	$\alpha_{g,V \parallel}$									
	$\alpha_{g,N \perp}$									
	$\alpha_{g,V \perp}$									

fischer injection system FIS V for masonry

Performance

Solid brick Mz, dimensions, installation parameters

Annex C 10

Appendix 31/ 131

Solid brick Mz, EN 771-1

Table C11.1: Characteristic resistance under tensile load

Anchor rod	M6		M8		M10		M12		M16		-		-	
Internal threaded anchor FIS E	-		-		-		-		-		M6	M8	M10	M12
											11x85		15x85	
Tensile load N_{Rk} [kN] depending on the compressive strength f_b (temperature range 50/80°C)														
compressive strength f_b	use category	Effective anchorage depth h_{ef} [mm]												
		≥ 50										85		
10N/mm ²	w/w	w/d	0,6	0,9	0,75	0,75	0,75	0,75	0,75	0,75	0,6	0,75		
	d/d		1,2	1,5	1,2	1,2	1,2	1,2	1,2	1,2	1,2	1,2		
20N/mm ²	w/w	w/d	0,9	1,5	1,2	1,2	1,2	1,2	1,2	1,2	0,9	1,2		
	d/d		1,5	2,5	2,0	2,0	2,0	2,0	2,0	2,0	1,5	2,0		

Factor for temperature range 72/120°C: 0,83

Table C11.2: Characteristic resistance under shear load

Anchor rod	M6		M8		M10		M12		M16		-		-	
Internal threaded anchor FIS E	-		-		-		-		-		M6	M8	M10	M12
											11x85		15x85	
Shear load V_{Rk} [kN] depending on the compressive strength f_b (temperature range 50/80°C and 72/120°C)														
compressive strength f_b	use category	Effective anchorage depth h_{ef} [mm]												
		≥ 50										85		
10N/mm ²	w/w	w/d	2,0	3,0	4,0	4,5	5,5	5,5	5,5	5,5	2,0	3,0	4,0	4,5
	d/d													
20N/mm ²	w/w	w/d	2,5	4,0	5,5	6,0	8,0	8,0	8,0	8,0	2,5	4,0	5,5	6,0
	d/d													

Factor for job site tests and displacements see annex C110

fischer injection system FIS V for masonry

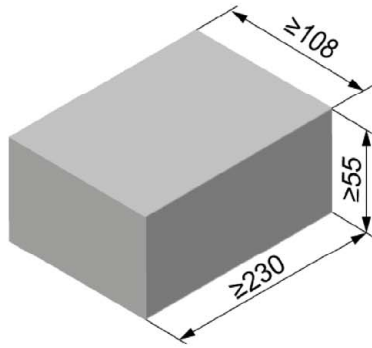
Performance

Solid brick Mz, Characteristic resistance under tensile and shear load

Annex C 11

Appendix 32/ 131

Solid brick Mz, EN 771-1



Solid brick Mz, EN 771-1			
Producer	e.g. Wienerberger		
Nominal dimensions [mm]	length L	width W	height H
	≥ 230	≥ 108	≥ 55
Density ρ [kg/dm ³]	≥ 1,8		
Compressive strength f_b [N/mm ²]	10 / 20		
Standard or annex	EN 771-1		

Table C12.1: Installation parameters

Anchor rod	M6	M8	M10	M12	M16	-	-		
Internal threaded anchor FIS E	-	-	-	-	-	M6	M8	M10	M12
	11x85		15x85						
Anchor rod and internal threaded anchor FIS E without perforated sleeve									
Effective anchorage depth h_{ef} [mm]	50	90	50	90	50	90	50	90	85
Max. installation torque T_{inst} [Nm]	4	10				4	10		
General installation parameters									
Edge distance c_{min}					60				
Spacing	$s_{cr \parallel} = s_{min \parallel}$				230				
	$s_{cr \perp} = s_{min \perp}$				60				
Drilling method									
Hammer drilling with hard metal hammer drill									

Table C12.2: Group factors

Anchor rods	M6	M8	M10	M12	M16	-	-			
Internal threaded anchor FIS E	-	-	-	-	-	M6	M8	M10	M12	
	11x85		15x85							
Group factor	$\alpha_{g,N \parallel}$	[-]								
	$\alpha_{g,V \parallel}$									
	$\alpha_{g,N \perp}$									
	$\alpha_{g,V \perp}$									

fischer injection system FIS V for masonry

Performance
Solid brick Mz, dimensions, installation parameters

Annex C 12

Appendix 33/ 131

Solid brick Mz, EN 771-1
Table C13.1: Characteristic resistance under tensile load

Anchor rod		M6	M8	M10	M12	M16	-		-	
Internal threaded anchor FIS E		-	-	-	-	-	M6	M8	M10	M12
		11x85		15x85						
Tensile load N_{Rk} [kN] depending on the compressive strength f_b (temperature range 50/80°C)										
compressive strength f_b	use category		Effective anchorage depth h_{ef} [mm]							
			≥ 50					85		
10N/mm ²	w/w	w/d	0,6	0,9	0,75	0,75	0,75	0,75		
	d/d		1,2	1,5	1,2	1,2	1,2	1,2		
20N/mm ²	w/w	w/d	0,9	1,5	1,2	1,2	1,2	1,2		
	d/d		1,5	2,5	2,0	2,0	2,0	2,0		

Factor for temperature range 72/120°C: 0,83

Table C13.2: Characteristic resistance under shear load

Anchor rod		M6	M8	M10	M12	M16	-		-		
Internal threaded anchor FIS E		-	-	-	-	-	M6	M8	M10	M12	
		11x85		15x85							
Querlast V_{Rk} [kN] in Abhängigkeit von der Druckfestigkeit f_b (Temperaturbereich 50/80°C und 72/120°C)											
compressive strength f_b	use category		Effective anchorage depth h_{ef} [mm]								
			≥ 50					85			
10N/mm ²	w/w	w/d	2,0	3,0	4,0	4,5	5,5	2,0	3,0	4,0	4,5
	d/d										
20N/mm ²	w/w	w/d	2,5	4,0	5,5	6,0	8,0	2,5	4,0	5,5	6,0
	d/d										

Factor for job site tests and displacements see annex C110

fischer injection system FIS V for masonry

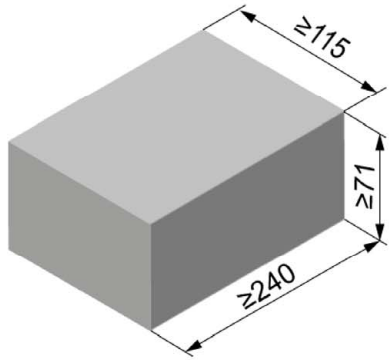
Performance

Solid brick Mz, Characteristic resistance under tensile and shear load

Annex C 13

Appendix 34/ 131

Solid sand-lime brick KS, NF, EN 771-2



Solid sand-lime brick KS, NF, EN 771-2			
Producer			
Nominal dimensions [mm]	length L	width W	height H
	≥ 240	≥ 115	≥ 71
Density ρ [kg/dm ³]	≥ 1,8		
Compressive strength f_b [N/mm ²]	12 / 20 / 28		
Standard or annex	EN 771-2		

Table C14.1: Installation parameters

Anchor rod	M6	M8	M10	M12	M16	-		-			
Internal threaded anchor FIS E	-	-	-	-	-	M6	M8	M10	M12		
	11x85		15x85								
Anchor rod and internal threaded anchor FIS E without perforated sleeve											
Effective anchorage depth h_{ef} [mm]	50	100	50	100	50	100	50	100	85	85	
	200		200		200						
Max. installation torque T_{inst} [Nm]	3	5	15	15	25	3	5	15			
General installation parameters											
Edge distance C_{min}					60						
Spacing	$S_{min \parallel}$					80					
	$S_{cr \parallel}$					80					
	$S_{min \perp}$					3x h_{ef}					
	$S_{cr \perp}$					3x h_{ef}					
Drilling method											
Hammer drilling with hard metal hammer drill											

Table C14.2: Group factors

Anchor rod	M6	M8	M10	M12	M16	-		-			
Internal threaded anchor FIS E	-	-	-	-	-	M6	M8	M10	M12		
	11x85		15x85								
Group factor	$\alpha_{g,N \parallel}$					0,7					
	$\alpha_{g,V \parallel}$					1,3					
	$\alpha_{g,N \perp}$					2,0					
	$\alpha_{g,V \perp}$					2,0					

fischer injection system FIS V for masonry

Performance
Solid sand-lime brick KS, NF, dimensions, installation parameters

Annex C 14

Appendix 35/ 131

Solid sand-lime brick KS, NF, EN 771-2
Table C15.1: Characteristic resistance under tensile load

Anchor rod		M6		M8		M10		M12		M16		-		-			
Internal threaded anchor FIS E		-		-		-		-		-		M6		M8			
												11x85		15x85			
Tensile load N_{Rk} [kN] depending on the compressive strength f_b (temperature range 50/80°C)																	
compressive strength f_b	use category		Effective anchorage depth h_{ef} [mm]														
	w/w	w/d	50	100	50	100	50	100	200	50	100	200	50	100	200	85	85
12N/mm ²	w/w	w/d	2,0	3,0	2,5	4,5	2,5	3,5	7,0	2,5	3,0	6,5	2,5	3,5	8,0	2,5	2,5
	d/d		4,0	5,5	4,0	8,0	4,0	5,5	12	4,0	4,5	12	4,5	5,5	12	4,0	4,0
20N/mm ²	w/w	w/d	3,0	4,5	3,5	6,5	3,5	4,5	10	3,5	4,0	9,5	4,0	5,0	11	3,5	3,5
	d/d		5,5	7,5	6,0	11	6,0	8,0	12	6,0	6,5	12	6,5	8,0	12	6,0	6,0
28N/mm ²	w/w	w/d	3,5	5,0	4,0	8,0	4,5	5,5	12	4,5	5,0	11	4,5	5,5	12	4,5	4,5
	d/d		6,5	9,0	7,0	12	7,0	9,0	12	7,0	7,5	12	7,5	9,5	12	7,0	7,0

Factor for temperature range 72/120°C: 0,83

Table C15.2: Characteristic resistance under shear load

Anchor rod		M6		M8		M10		M12		M16		-		-		
Internal threaded anchor FIS E		-		-		-		-		-		M6		M8		
												11x85		15x85		
Shear load V_{Rk} [kN] depending on the compressive strength f_b (temperature range 50/80°C and 72/120°C)																
compressive strength f_b	use category		Effective anchorage depth h_{ef} [mm]													
	w/w	w/d	50	100	50	100	50	≥100	50	≥100	50	≥100	85	85		
12N/mm ²	w/w	w/d	1,5	3,0	1,5	3,0	1,2	2,0	1,2	2,0	1,2	2,0	1,2	1,2		
	d/d															
20N/mm ²	w/w	w/d	2,5	4,0	2,5	4,0	1,5	3,0	1,5	3,0	1,5	3,0	1,5	1,5		
	d/d															
28N/mm ²	w/w	w/d	3,0	4,5	3,0	4,5	1,5	3,5	1,5	3,5	1,5	3,5	1,5	1,5		
	d/d															

Factor for job site tests and displacements see annex C110

fischer injection system FIS V for masonry

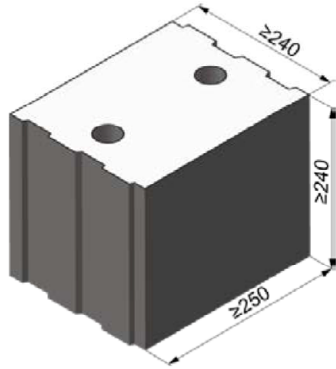
Performance

Solid sand-lime brick KS, NF, Characteristic resistance under tensile and shear load

Annex C 15

Appendix 36/ 131

Solid sand-lime brick KS, 8DF, EN 771-2



Solid sand-lime brick KS, 8DF, EN 771-2			
Producer	-		
Nominal dimensions [mm]	length L	width W	height H
	≥ 250	≥ 240	≥ 240
Density ρ [kg/dm ³]	≥ 2,0		
Compressive strength f_b [N/mm ²]	10 / 20 / 28		
Standard or annex	EN 771-2		

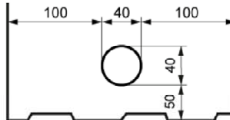


Table C16.1: Installation parameters

Anchor rod		M6	M8	M10	M12	M16	-	-	
Internal threaded anchor FIS E		-	-	-	-	-	M6	M8	
							11x85	M10	
								M12	
								15x85	
Anchor rod and internal threaded anchor FIS E without perforated sleeve									
Effective anchorage depth	h_{ef} [mm]	50	100	50	100	50	100	50	100
Max. installation torque	T_{inst} [Nm]	4	10				4	10	
Anchor rod and internal threaded anchor FIS E with perforated sleeve FIS H 16x85 K									
Effective anchorage depth	h_{ef} [mm]	- ¹⁾		85		- ¹⁾		85	
Max. installation torque	T_{inst} [Nm]	- ¹⁾		10		4		10	
General installation parameters									
Edge distance	C_{min}					60			
Spacing	$S_{min} \parallel$					80			
	$S_{cr} \parallel$					3x h_{ef}			
	$S_{min} \perp$					80			
	$S_{cr} \perp$					3x h_{ef}			
Drilling method									
Hammer drilling with hard metal hammer drill									

¹⁾ No performance assessed

Table C16.2: Group factors

Anchor rods		M6	M8	M10	M12	M16	-	-	
Internal threaded anchor FIS E		-	-	-	-	-	M6	M8	
							11x85	M10	
								M12	
Group factors	$\alpha_{g,N} \parallel$					1,5			
	$\alpha_{g,V} \parallel$					1,2			
	$\alpha_{g,N} \perp$					1,5			
	$\alpha_{g,V} \perp$					1,2			

fischer injection system FIS V for masonry

Performance

Solid sand-lime brick KS, 8DF, dimensions, installation parameters

Annex C 16

Appendix 37/ 131

Solid sand-lime brick KS, 8DF, EN 771-2

Table C17.1: Characteristic resistance under tensile load

Anchor rod	M6	M8	M10	M12	M16	-	-	M8	M10	-			
Internal threaded anchor FIS E	-	-	-	-	-	M6	M8	M10	M12	-	-	M6	M8
						11x85		15x85				11x85	
Perforated sleeve FIS H K	-	-	-	-	-	-	-	16x85					
Tensile load N_{Rk} [kN] depending on the compressive strength f_b (temperature range 50/80°C)													
compressive strength f_b	use category	Effective anchorage depth h_{ef} [mm]											
		≥ 50						85					
10N/mm ²	w/w	w/d	3,0	4,0	4,5	4,5	3,5	3,0	3,5	4,5	3,0	4,5	
	d/d		5,0	7,0	7,0	7,0	5,5	5,0	5,5	8,0	5,0	8,0	
20N/mm ²	w/w	w/d	4,5	6,0	6,0	6,0	5,0	4,5	5,0	6,5	4,5	6,5	
	d/d		7,5	10,0	10,0	10,0	7,5	7,5	7,5	11,0	7,5	11	
28N/mm ²	w/w	w/d	5,0	8,0	8,5	8,5	7,0	5,0	7,0	8,5	5,0	8,5	
	d/d		8,5	12,0	12,0	12,0	11,0	8,5	11,0	12,0	8,5	12	

Factor for temperature range 72/120°C: 0,83

Table C17.2: Characteristic resistance under shear load

Anchor rod	M6	M8	M10	M12	M16	-	-	M8	M10	-			
Internal threaded anchor FIS E	-	-	-	-	-	M6	M8	M10	M12	-	-	M6	M8
						11x85		15x85				11x85	
Perforated sleeve FIS H K	-	-	-	-	-	-	-	16x85					
Shear load V_{Rk} [kN] depending on the compressive strength f_b (temperature range 50/80°C and 72/120°C)													
compressive strength f_b	use category	Effective anchorage depth h_{ef} [mm]											
		≥ 50						85					
10N/mm ²	w/w	w/d	2,5	4,5			2,5	4,5			4,5	2,5	4,5
	d/d												
20N/mm ²	w/w	w/d	4,0	6,5			4,0	6,5			6,5	4,0	6,5
	d/d												
28N/mm ²	w/w	w/d	5,0	9,0			5,0	9,0			9,0	5,0	9,0
	d/d												

Factor for job site tests and displacements see annex C110

fischer injection system FIS V for masonry

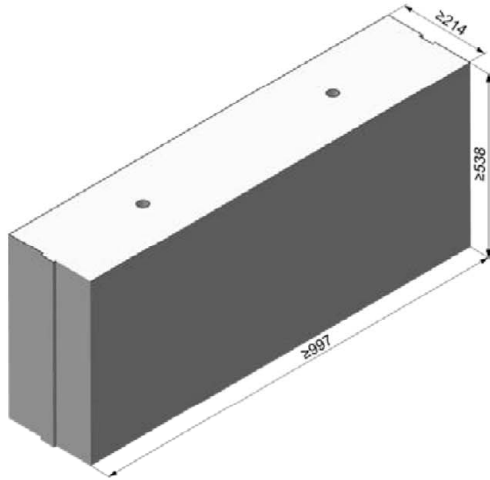
Performance

Solid sand-lime brick KS, 8DF, Characteristic resistance under tensile and shear load

Annex C 17

Appendix 38/ 131

Solid sand-lime brick KS, EN 771-2



Solid sand-lime brick KS, EN 771-2			
Producer	e.g. Calduran		
Nominal dimensions [mm]	length L	width W	height H
	≥ 997	≥ 214	≥ 538
Density ρ [kg/dm ³]	1,8		2,2
Compressive strength f_b [N/mm ²]	10 / 20		36
Standard or annex	EN 771-2		

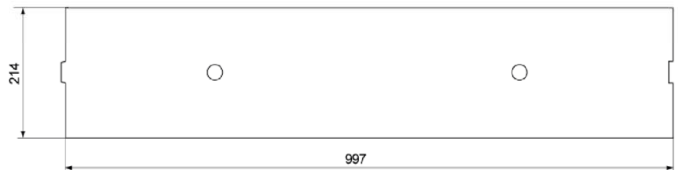


Table C18.1: Installation parameters

Anchor rod	M6	M8	M10	M12	M16	-	-		
Internal threaded anchor FIS E	-	-	-	-	-	M6	M8	M10	M12
	11x85		15x85						
Anchor rod and internal threaded anchor FIS E without perforated sleeve									
Effective anchorage depth h_{ef} [mm]	50	100	50	100	50	100	50	100	85
Max. installation torque T_{inst} [Nm]	4	10				4	10		
General installation parameters									
Edge distance C_{min}	75								
Spacing	$S_{cr \parallel} = S_{min \parallel}$ [mm]		3x h_{ef}						
	$S_{cr \perp} = S_{min \perp}$		3x h_{ef}						
Drilling method									
Hammer drilling with hard metal hammer drill									

Table C18.2: Group factors

Anchor rod	M6	M8	M10	M12	M16	-	-		
Internal threaded anchor FIS E	-	-	-	-	-	M6	M8	M10	M12
	11x85		15x85						
Group factors	$\alpha_{g,N \parallel}$	[-]	2						
	$\alpha_{g,V \parallel}$								
	$\alpha_{g,N \perp}$								
	$\alpha_{g,V \perp}$								

fischer injection system FIS V for masonry

Performance
Solid sand-lime brick KS, dimensions, installation parameters

Annex C 18

Appendix 39/ 131

Solid sand-lime brick KS, EN 771-2

Table C19.1: Characteristic resistance under tensile load

Anchor rod		M6	M8	M10	M12	M16	-		-		
Internal threaded anchor FIS E		-	-	-	-	-	M6	M8	M10	M12	
							11x85		15x85		
Tensile load N_{Rk} [kN] depending on the compressive strength f_b (temperature range 50/80°C)											
compressive strength f_b	use category	Effective anchorage depth h_{ef} [mm]									
		50	100	50	100	50	100	50	100	50	100
10N/mm ²	w/w w/d	4,0	4,0	7,0	5,0	6,0	5,0	6,0	5,5	7,5	5,5
	d/d	7,0	7,0	12,0	8,0	9,5	8,0	10,0	9,0	11,5	9,0
20N/mm ²	w/w w/d	5,5	6,0	10,0	7,0	8,5	7,0	9,0	8,0	11,0	8,0
	d/d	8,5	10,5	12,0	11,5	12,0	11,0	12,0	12,0	12,0	12,0
36N/mm ²	w/w w/d	4,5	8,0	12,0	11,5	12,0	12,0	12,0	12,0	12,0	12,0
	d/d	8,0	12,0	12,0	12,0	12,0	12,0	12,0	12,0	12,0	12,0

Factor for temperature range 72/120°C: 0,83

Table C19.2: Characteristic resistance under shear load

Anchor rod		M6	M8	M10	M12	M16	-		-		
Internal threaded anchor FIS E		-	-	-	-	-	M6	M8	M10	M12	
							11x85		15x85		
Shear load V_{Rk} [kN] depending on the compressive strength f_b (temperature range 50/80°C and 72/120°C)											
compressive strength f_b	use category	Effective anchorage depth h_{ef} [mm]									
		≥ 50								85	
10N/mm ²	w/w w/d	3,0	5,0	5,5	4,0	4,0	3,0	5,0	5,5	4,0	
	d/d										
20N/mm ²	w/w w/d	4,5	7,0	7,5	6,0	6,0	4,5	7,0	7,5	6,0	
	d/d										
36N/mm ²	w/w w/d	4,5	9,0	11,0	12,0	12,0	4,5	9,0	11,0	12,0	
	d/d										

Factor for job site tests and displacements see annex C110

fischer injection system FIS V for masonry

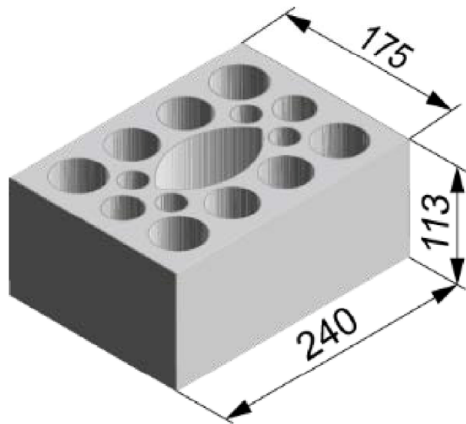
Performance

Solid sand-lime brick KS, Characteristic resistance under tensile and shear load

Annex C 19

Appendix 40/ 131

Perforated sand-lime brick KSL, 3DF, EN 771-2



Perforated sand-lime brick KSL, 3DF, EN 771-2			
Producer	e.g. KS Wemding		
Nominal dimensions [mm]	length L	width W	height H
	240	175	113
Density ρ [kg/dm ³]	≥ 1,4		
Compressive strength f_b [N/mm ²]	8 / 10 / 12 / 16 / 20		
Standard or annex	EN 771-2		

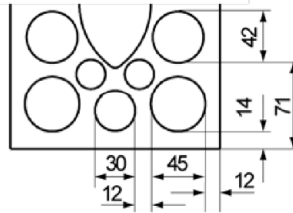


Tabelle C20.1: Installation parameters

(Pre-positioned anchorage with perforated sleeve FIS H K)

Anchor rod	M6	M8	M6	M8	-	M8	M10	M8	M10	-	M12	M16	M12	M16
Internal threaded anchor FIS E	-		-		M6	M8	-		-		M10	M12	-	
					11x85						15x85			
Perforated sleeve FIS H K	12x50		12x85		16x85			16x130		20x85			20x130	

Anchor rod and internal threaded anchor FIS E with perforated sleeve FIS H K

Max. installation torque	T_{inst}	[Nm]	2											
--------------------------	------------	------	---	--	--	--	--	--	--	--	--	--	--	--

General installation parameters

Edge distance	C_{min}	[mm]	60				80			
	$S_{min \parallel}$		100							
Spacing	$S_{scr \parallel}$		240							
	$S_{min \perp}$		115							
	$S_{scr \perp}$		115							

Drilling method

Hammer drilling with hard metal hammer drill

Table C20.2: Group factors

Anchor rod	M6	M8	M6	M8	-	M8	M10	M8	M10	-	M12	M16	M12	M16
Internal threaded anchor FIS E	-		-		M6	M8	-		-		M10	M12	-	
					11x85						15x85			
Perforated sleeve FIS H K	12x50		12x85		16x85			16x130		20x85			20x130	
Group factors	$\alpha_{g,N \parallel} = \alpha_{g,V \parallel}$		[-]	1,5										
	$\alpha_{g,N \perp} = \alpha_{g,V \perp}$			2,0										

fischer injection system FIS V for masonry

Performance

Perforated sand-lime brick KSL, 3DF, dimensions, installation parameters

Annex C 20

Appendix 41/ 131

Perforated sand-lime brick KSL, 3DF, EN 771-2

Table C21.1: Installation parameters
(Push through anchorage with perforated sleeve FIS H K)

Anchor rod		M10	M12	M16
Perforated sleeve FIS H K		18x130/200		22x130/200
Anchor rod with perforated sleeve FIS H K				
Max. installation torque	T_{inst}	[Nm]	2	
General installation parameters				
Edge distance	c_{min}	[mm]	80	
Spacing	$s_{min \parallel}$		100	
	$s_{cr \parallel}$		240	
	$s_{min \perp}$		115	
	$s_{cr \perp}$		115	
Drilling method				
Hammer drilling with hard metal hammer drill				

Table C21.2: Group factors

Anchor rod		M10	M12	M16
Perforated sleeve FIS H K		18x130/200		22x130/200
Group factors	$\alpha_{g,N \parallel}$	[-]	1,5	
	$\alpha_{g,V \parallel}$			
	$\alpha_{g,N \perp}$		2,0	
	$\alpha_{g,V \perp}$			

fischer injection system FIS V for masonry

Performance
Perforated sand-lime brick KSL, 3DF, dimensions, installation parameters

Annex C 21

Appendix 42/ 131

Perforated sand-lime brick KSL, 3DF, EN 771-2

Table C22.1: Characteristic resistance under tensile load (Pre-positioned anchorage)

Anchor rod	M6	M8	M6	M8	-	M8	M10	M8	M10	-	M12	M16	M12	M16
Internal threaded anchor FIS E	-		-		M6	M8	-		-		M10	M12	-	
					11x85						15x85			
Perforated sleeve FIS H K	12x50		12x85		16x85			16x130		20x85			20x130	
Tensile load N_{Rk} [kN] depending on the compressive strength f_b (temperature range 50/80°C)														
compressive strength f_b	use category													
	w/w	w/d												
8 N/mm ²	w/w	w/d	1,5			2,0			2,0		2,0		2,0	
	d/d		1,5			2,0			2,5		2,5		2,5	
10 N/mm ²	w/w	w/d	2,0			2,0			2,5		2,5		2,5	
	d/d		2,0			2,5			3,0		3,0		3,0	
12 N/mm ²	w/w	w/d	2,5			2,5			3,0		3,0		3,0	
	d/d		2,5			3,0			3,5		3,5		3,5	
16 N/mm ²	w/w	w/d	3,0			3,5			4,5		4,5		4,5	
	d/d		3,5			4,0			4,5		4,5		4,5	
20 N/mm ²	w/w	w/d	4,0			4,5			5,5		5,5		5,5	
	d/d		4,5			5,0			6,0		6,0		6,0	

Table C22.2: Characteristic resistance under tensile load (Push through anchorage)

Anchor rod	M10		M12		M16	
Perforated sleeve FIS H K	18x130/200				22x130/200	
Tensile load N_{Rk} [kN] depending on the compressive strength f_b (temperature range 50/80°C)						
compressive strength f_b	use category					
	w/w	w/d				
8 N/mm ²	w/w	w/d	2,0			
	d/d		2,5			
10 N/mm ²	w/w	w/d	2,5			
	d/d		3,0			
12 N/mm ²	w/w	w/d	3,0			
	d/d		3,5			
16 N/mm ²	w/w	w/d	4,5			
	d/d		4,5			
20 N/mm ²	w/w	w/d	5,5			
	d/d		6,0			

Factor for job site tests and displacements see annex C110

Factor for temperature range 72/120°C: 0,83

fischer injection system FIS V for masonry

Performance

Perforated sand-lime brick KSL, 3DF, Characteristic resistance under tensile load

Annex C 22

Appendix 43/ 131

Perforated sand-lime brick KSL, 3DF, EN 771-2

Table C23.1: Characteristic resistance under shear load (Pre-positioned anchorage)

Anchor rod	M6	M8	M6	M8	-	M8	M10	M8	M10	-	M12	M16	M12	M16			
Internal threaded anchor FIS E	-		-		M6	M8	-		-		M10	M12	-				
					11x85						15x85						
Perforated sleeve FIS H K	12x50		12x85		16x85			16x130		20x85			20x130				
Shear load V_{RK} [kN] depending on the compressive strength f_b (temperature range 50/80°C and 72/120°C)																	
compressive strength f_b	use category																
8 N/mm ²	w/w	w/d	1,5						3,0						2,5	3,0	2,5
	d/d																
10 N/mm ²	w/w	w/d	2,0						3,5								
	d/d																
12 N/mm ²	w/w	w/d	2,5						4,5						4,0	4,5	4,0
	d/d																
16 N/mm ²	w/w	w/d	3,0	3,5	3,0	3,5	3,0	6,0						5,5	6,0	5,5	
	d/d																
20 N/mm ²	w/w	w/d	4,0	4,5	4,0	4,5	4,0	7,5						6,5	7,5	6,5	
	d/d																

Table C23.2: Characteristic resistance under shear load (Push through anchorage)

Anchor rod	M10				M12				M16			
Perforated sleeve FIS H K	18x130/200								22x130/200			
Shear load V_{RK} [kN] depending on the compressive strength f_b (temperature range 50/80°C and 72/120°C)												
compressive strength f_b	use category											
8 N/mm ²	w/w	w/d	3,0								2,5	
	d/d											
10 N/mm ²	w/w	w/d	3,5								3,5	
	d/d											
12 N/mm ²	w/w	w/d	4,5								4,0	
	d/d											
16 N/mm ²	w/w	w/d	6,0								5,5	
	d/d											
20 N/mm ²	w/w	w/d	7,5								6,5	
	d/d											

Factor for job site tests and displacements see annex C110

fischer injection system FIS V for masonry

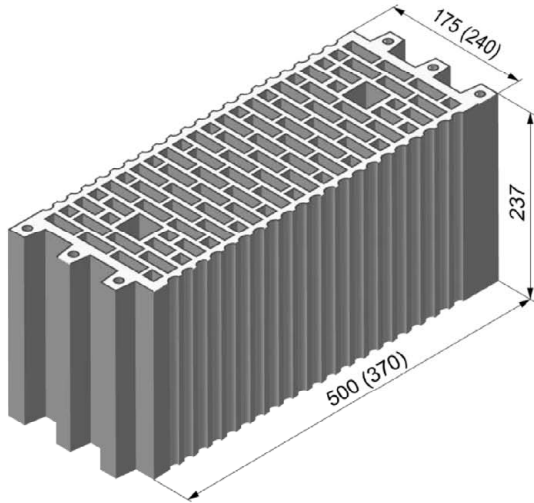
Performance

Perforated sand-lime brick KSL, 3DF, Characteristic resistance under shear load

Annex C 23

Appendix 44/ 131

Vertical perforated brick HLz, EN 771-1



Vertical perforated brick HLz, EN 771-1			
Producer		e.g. Wienerberger, Poroton	
Nominal dimensions [mm]		length L	width W
		height H	
		500	175
		370	240
Density ρ [kg/dm ³]		$\geq 1,0$	
Compressive strength f_b [N/mm ²]		4 / 6 / 8 / 10 / 12	
Standard or annex		EN 771-1	

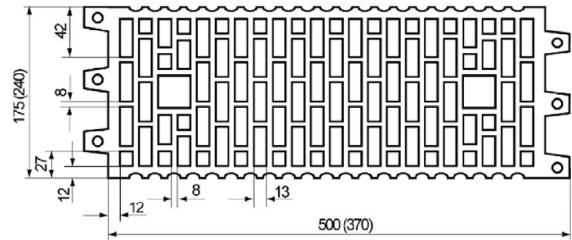


Table C24.1: Installation parameters

Anchor rod	M6	M8	M6	M8	-	M8	M10	M8	M10	-	M12	M16	M12	M16
Internal threaded anchor FIS E	-	-	-	-	M6	M8	-	-	-	M10	M12	-	-	-
					11x85					15x85				
Perforated sleeve FIS H K	12x50		12x85		16x85			16x130		20x85			20x130	
Anchor rod and internal threaded anchor FIS E with perforated sleeve FIS H K														
Max. installation torque	T_{inst}	[Nm]	2											
General installation parameters														
Edge distance	C_{min}		100											
Spacing	$S_{min \parallel}$	[mm]	100											
	$S_{cr \parallel}$		500 (370)											
	$S_{min \perp}$		100											
	$S_{cr \perp}$		240											
Drilling method														
Hammer drilling with hard metal hammer drill														

Table C24.2: Group factors

Anchor rod	M6	M8	M6	M8	-	M8	M10	M8	M10	-	M12	M16	M12	M16
Internal threaded anchor FIS E	-	-	-	-	M6	M8	-	-	-	M10	M12	-	-	-
					11x85					15x85				
Perforated sleeve FIS H K	12x50		12x85		16x85			16x130		20x85			20x130	
Group factors	$\alpha_{g,N \parallel} = \alpha_{g,V \parallel}$	$\alpha_{g,N \perp} = \alpha_{g,V \perp}$	[-]		1									

fischer injection system FIS V for masonry

Performance

Vertical perforated brick HLz, dimensions, installation parameters

Annex C 24

Appendix 45/ 131

Vertical perforated brick HLz, EN 771-1

Table C25.1: Characteristic resistance under tensile load

Anchor rod	M6	M8	M6	M8	-	M8	M10	M8	M10	-	M12	M16	M12	M16
Internal threaded anchor FIS E	-		-		M6	M8	-		-		M10	M12	-	
					11x85						15x85			
Perforated sleeve FIS H K	12x50		12x85		16x85			16x130		20x85			20x130	
Tensile load N_{Rk} [kN] depending on the compressive strength f_b (temperature range 50/80°C)														
compressive strength f_b	use category													
4 N/mm ²	w/w	w/d	0,3			0,9			1,2					
	d/d		0,4			0,9			1,2					
6 N/mm ²	w/w	w/d	0,5			1,5			2,0					
	d/d		0,6			1,5			2,0					
8 N/mm ²	w/w	w/d	0,75			2,0			2,5					
	d/d		0,75			2,0			2,5					
10 N/mm ²	w/w	w/d	0,9			2,5			3,0					
	d/d		0,9			2,5			3,5					
12 N/mm ²	w/w	w/d	0,9			3,0			3,5					
	d/d		1,2			3,0			4,0					

Factor for temperature range 72/120°C: 0,83

Table C25.2: Characteristic resistance under shear load

Anchor rod	M6	M8	M6	M8	-	M8	M10	M8	M10	-	M12	M16	M12	M16
Internal threaded anchor FIS E	-		-		M6	M8	-		-		M10	M12	-	
					11x85						15x85			
Perforated sleeve FIS H K	12x50		12x85		16x85			16x130		20x85			20x130	
Shear load V_{Rk} [kN] depending on the compressive strength f_b (temperature range 50/80°C and 72/120°C)														
compressive strength f_b	use category													
4 N/mm ²	w/w	w/d	0,5			0,6			0,5			0,6		
	d/d		0,5			0,6			0,5			0,6		
6 N/mm ²	w/w	w/d	0,75			0,9			0,75			0,9		
	d/d		0,75			0,9			0,75			0,9		
8 N/mm ²	w/w	w/d	0,9			1,2			0,9			1,2		
	d/d		0,9			1,2			0,9			1,2		
10 N/mm ²	w/w	w/d	1,2			1,5			1,2			1,5		
	d/d		1,2			1,5			1,2			1,5		
12 N/mm ²	w/w	w/d	1,5			2,0			1,5			2,0		
	d/d		1,5			2,0			1,5			2,0		

Factor for job site tests and displacements see annex C110

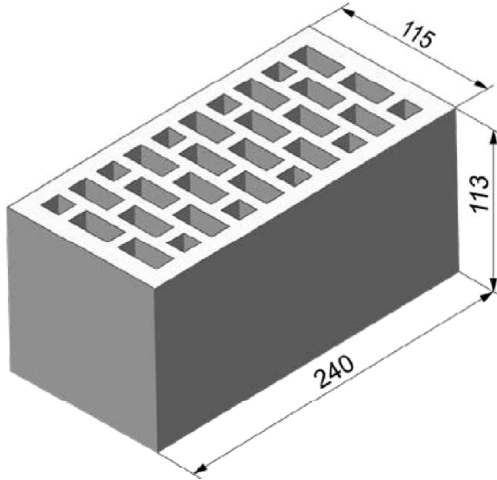
fischer injection system FIS V for masonry

Performance

Vertical perforated brick HLz, Characteristic resistance under tensile and shear load

Annex C 25

Vertical perforated brick HLz, 2DF, EN 771-1



Vertical perforated brick HLz, 2DF, EN 771-1			
Producer	e.g. Wienerberger		
Nominal dimensions [mm]	length L	width W	height H
	240	115	113
Density ρ [kg/dm ³]	≥ 1,4		
Compressive strength f_b [N/mm ²]	6 / 10 / 16 / 20 / 28		
Standard or annex	EN 771-1		

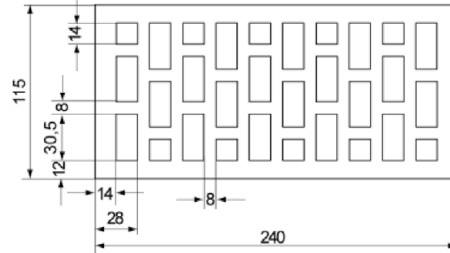


Table C26.1: Installation parameters

Anchor rod	M6	M8	M6	M8	-	M8	M10	-	M12	M16	
Internal threaded anchor FIS E	-		-		M6	M8	-		M10	M12	-
					11x85				15x85		
Perforated sleeve FIS H K	12x50		12x85		16x85			20x85			
Anchor rod and internal threaded anchor FIS E with perforated sleeve FIS H K											
Max. installation torque T_{inst} [Nm]	2										
General installation parameters											
Edge distance C_{min}	80										
Spacing $S_{cr \parallel} = S_{min \parallel}$ [mm]	240										
	$S_{cr \perp} = S_{min \perp}$	115									
Drilling method											
Hammer drilling with hard metal hammer drill											

Table C26.2: Group factors

Anchor rod	M6	M8	M6	M8	-	M8	M10	-	M12	M16	
Internal threaded anchor FIS E	-		-		M6	M8	-		M10	M12	-
					11x85				15x85		
Perforated sleeve FIS H K	12x50		12x85		16x85			20x85			
Group factors	$\alpha_{g,N \parallel}$	[-]	2								
	$\alpha_{g,v \parallel}$										
	$\alpha_{g,N \perp}$										
	$\alpha_{g,v \perp}$										

fischer injection system FIS V for masonry

Performance

Vertical perforated brick HLz, 2DF, dimensions, installation parameters

Annex C 26

Appendix 47/ 131

Vertical perforated brick HLz, 2DF, EN 771-1

Table C27.1: Characteristic resistance under tensile load

Anchor rod		M6	M8	M6	M8	-	M8	M10	-	M12	M16
Internal threaded anchor FIS E		-		-		M6	M8	-	M10	M12	-
						11x85			15x85		
Perforated sleeve FIS H K		12x50		12x85		16x85			20x85		
Tensile load N_{Rk} [kN] depending on the compressive strength f_b (temperature range 50/80°C)											
compressive strength f_b	use category										
6 N/mm ²	w/w	w/d	0,75	0,9	0,75			0,9			
	d/d		0,75	1,2	0,75			0,9			
10 N/mm ²	w/w	w/d	1,2	1,5	1,2			1,5			
	d/d		1,2	2,0	1,2			1,5			
16 N/mm ²	w/w	w/d	2,0	2,5	2,0			2,0			
	d/d		2,0	3,0	2,0			2,5			
20 N/mm ²	w/w	w/d	2,5	3,5	2,5			3,0			
	d/d		2,5	4,0	2,5			3,0			
28 N/mm ²	w/w	w/d	3,0	5,0	3,5			4,0			
	d/d		3,5	5,5	3,5			4,5			

Factor for temperature range 72/120°C: 0,83

Table C27.2: Characteristic resistance under shear load

Anchor rod		M6	M8	M6	M8	-	M8	M10	-	M12	M16
Internal threaded anchor FIS E		-		-		M6	M8	-	M10	M12	-
						11x85			15x85		
Perforated sleeve FIS H K		12x50		12x85		16x85			20x85		
Shear load V_{Rk} [kN] depending on the compressive strength f_b (temperature range 50/80°C and 72/120°C)											
compressive strength f_b	use category										
6 N/mm ²	w/w	w/d	1,2	1,5	1,2	2,0	1,2	1,5	2,5		
	d/d										
10 N/mm ²	w/w	w/d	2,0	2,5	2,0	4,0	2,0	2,5	4,5		
	d/d										
16 N/mm ²	w/w	w/d	3,0	3,5	3,0	6,0	3,0	3,5	7,0		
	d/d										
20 N/mm ²	w/w	w/d	4,0	4,5	4,0	7,5	4,0	4,5	8,5		
	d/d										
28 N/mm ²	w/w	w/d	5,0	6,5	5,0	9,5	5,0	6,5	12,0		
	d/d										

Factor for job site tests and displacements see annex C110

fischer injection system FIS V for masonry

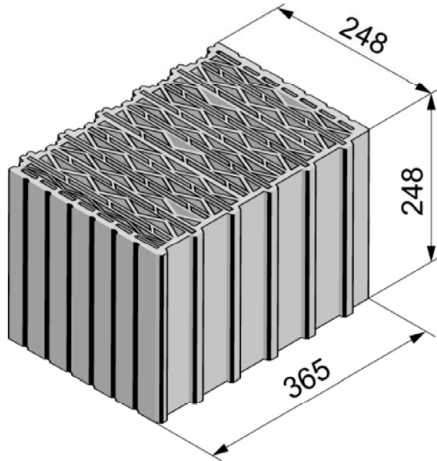
Performance

Vertical perforated brick HLz, 2DF,
Characteristic resistance under tensile and shear load

Annex C 27

Appendix 48/ 131

Vertical perforated brick HLz, U8, EN 771-1



Vertical perforated brick HLz, U8, EN 771-1			
Producer	-		
Nominal dimensions [mm]	length L	width W	height H
	248	365	248
Density ρ [kg/dm ³]	0,6		
Compressive strength f_b [N/mm ²]	4 / 6 / 8		
Standard or annex	EN 771-1		

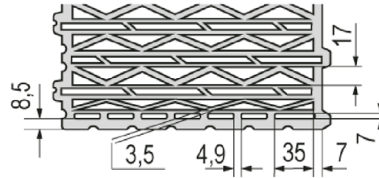


Table C28.1: Installation parameters
(Pre-positioned anchorage with perforated sleeve FIS H K)

Anchor rod	M6	M8	M6	M8	-	M8	M10	M8	M10	-	M12	M16	M12	M16	M12	M16
Internal threaded anchor FIS E	-		-		M6	M8	-		-		M10	M12	-		-	
					11x85						15x85					
Perforated sleeve FIS H K	12x50		12x85		16x85			16x130		20x85			20x130		20x200	

Anchor rod and internal threaded anchor FIS E with perforated sleeve FIS H K

Max. installation torque	T_{inst}	[Nm]	3	5	3	5	3	5	5							
--------------------------	------------	------	---	---	---	---	---	---	---	--	--	--	--	--	--	--

General installation parameters

Edge distance	C_{min}		60									
Spacing	$S_{min \parallel}$	[mm]	80									
	$S_{scr \parallel}$		250									
	$S_{min \perp}$		80									
	$S_{scr \perp}$		250									

Drilling method

Rotary drilling with carbide drill

Table C28.2: Group factors

Anchor rod	M6	M8	M6	M8	-	M8	M10	M8	M10	-	M12	M16	M12	M16	M12	M16
Internal threaded anchor FIS E	-		-		M6	M8	-		-		M10	M12	-		-	
					11x85						15x85					
Perforated sleeve FIS H K	12x50		12x85		16x85			16x130		20x85			20x130		20x200	

Group factors	$\alpha_{g,N \parallel}$	[-]	1,3									
	$\alpha_{g,V \parallel}$		1,2									
	$\alpha_{g,N \perp}$		1,3									
	$\alpha_{g,V \perp}$		1,0									

fischer injection system FIS V for masonry

Performance

Vertical perforated brick HLz, U8, dimensions, installation parameters

Annex C 28

Appendix 49/ 131

Vertical perforated brick HLz, U8, EN 771-1

Table C29.1: Installation parameters
(Push through anchorage with perforated sleeve FIS H K)

Anchor rod		M10	M12	M16
Perforated sleeve FIS H K		18x130/200		22x130/200
Anchor rod with perforated sleeve FIS H K				
Max. installation torque	T_{inst}	[Nm]	5	
General installation parameters				
Edge distance	c_{min}	[mm]	60	
Spacing	$s_{min \parallel}$		80	
	$s_{cr \parallel}$		250	
	$s_{min \perp}$		80	
	$s_{cr \perp}$		250	
Drilling method				
Rotary drilling with carbide drill				

Table C29.2: Group factors

Anchor rod		M10	M12	M16
Perforated sleeve FIS H K		18x130/200		22x130/200
Group factors	$\alpha_{g,N \parallel}$	[-]	1,3	
	$\alpha_{g,V \parallel}$		1,2	
	$\alpha_{g,N \perp}$		1,3	
	$\alpha_{g,V \perp}$		1,0	

fischer injection system FIS V for masonry

Performance

Vertical perforated brick HLz, U8, dimensions, installation parameters

Annex C 29

Appendix 50/ 131

Vertical perforated brick HLz, U8, EN 771-1

Table C30.1: Characteristic resistance under tensile load (Pre-positioned anchorage)

Anchor rod	M6	M8	M6	M8	-	M8	M10	M8	M10	-	M12	M16	M12	M16	M12	M16		
Internal threaded anchor FIS E	-		-		M6	M8	-		-		M10	M12	-		-			
					11x85						15x85							
Perforated sleeve FIS H K	12x50		12x85		16x85			16x130		20x85			20x130		20x200			
Tensile load N_{Rk} [kN] depending on the compressive strength f_b (temperature range 50/80°C)																		
compressive strength f_b	use category																	
4 N/mm ²	w/w	w/d	1,2														1,2	
	d/d		1,2														1,5	
6 N/mm ²	w/w	w/d	1,5														1,5	
	d/d		1,5														1,5	
8 N/mm ²	w/w	w/d	1,5														2,0	
	d/d		2,0														2,0	

Table C30.2: Characteristic resistance under tensile load (Push through anchorage)

Anchor rod	M10		M12		M16		
Perforated sleeve FIS H K	18x130/200				22x130/200		
Tensile load N_{Rk} [kN] depending on the compressive strength f_b (temperature range 50/80°C)							
compressive strength f_b	use category						
4 N/mm ²	w/w	w/d					1,2
	d/d						1,5
6 N/mm ²	w/w	w/d					1,5
	d/d						1,5
8 N/mm ²	w/w	w/d					2,0
	d/d						2,0

Factor for job site tests and displacements see annex C110

Factor for temperature range 72/120°C: 0,83

fischer injection system FIS V for masonry

Performance

Vertical perforated brick HLz, U8, Characteristic resistance under tensile load

Annex C 30

Appendix 51/ 131

Vertical perforated brick HLz, U8, EN 771-1

Table C31.1: Characteristic resistance under shear load (Pre-positioned anchorage)

Anchor rod	M6	M8	M6	M8	-	M8	M10	M8	M10	-	M12	M16	M12	M16	M12	M16
Internal threaded anchor FIS E	-		-		M6	M8	-		-		M10	M12	-		-	
					11x85						15x85					
Perforated sleeve FIS H K	12x50		12x85		16x85			16x130		20x85			20x130		20x200	
Shear load V_{RK} [kN] depending on the compressive strength f_b (temperature range 50/80°C and 72/120°C)																
compressive strength f_b	use category															
4 N/mm ²	w/w	w/d	1,2													
	d/d															
6 N/mm ²	w/w	w/d	1,5													
	d/d															
8 N/mm ²	w/w	w/d	1,5													
	d/d															

Table C31.2: Characteristic resistance under shear load (Push through anchorage)

Anchor rod	M10		M12		M16	
Perforated sleeve FIS H K	18x130/200				22x130/200	
Shear load V_{RK} [kN] depending on the compressive strength f_b (temperature range 50/80°C and 72/120°C)						
compressive strength f_b	use category					
4 N/mm ²	w/w	w/d	1,2			
	d/d					
6 N/mm ²	w/w	w/d	1,5			
	d/d					
8 N/mm ²	w/w	w/d	1,5			
	d/d					

Factor for job site tests and displacements see annex C108

fischer injection system FIS V for masonry

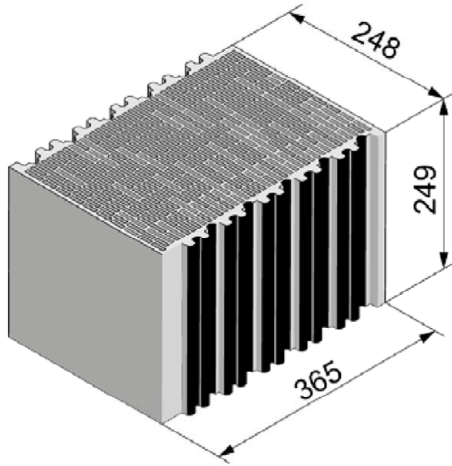
Performance

Vertical perforated brick HLz, U8, Characteristic resistance under shear load

Annex C 31

Appendix 52/ 131

Vertical perforated brick HLz, T10, T11, EN 771-1



Vertical perforated brick HLz, T10, T11, EN 771-1			
Producer	-		
Nominal dimensions [mm]	length L	width W	height H
	248	365	249
Density ρ [kg/dm ³]	0,7		
Compressive strength f_b [N/mm ²]	8 / 10 / 12		
Standard or annex	EN 771-1		

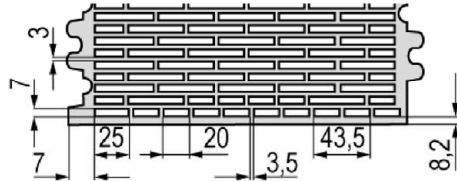


Table C32.1: Installation parameters
(Pre-positioned anchorage with perforated sleeve FIS H K)

Anchor rod		M6	M8	M6	M8	-	M8	M10	M8	M10	-	M12	M16	M12	M16	M12	M16
Internal threaded anchor FIS E		-	-	M6	M8					M10	M12						
				11x85						15x85							
Perforated sleeve FIS H K		12x50		12x85		16x85			16x130		20x85		20x130		20x200		
Anchor rod and internal threaded anchor FIS E with perforated sleeve FIS H K																	
Max. installation torque	T_{inst} [Nm]	3					5	3	5								
General installation parameters																	
Edge distance	C_{min}						60										
Spacing	$S_{min \parallel}$						80										
	$S_{cr \parallel}$	[mm]					250										
	$S_{min \perp}$						80										
	$S_{cr \perp}$						250										
Drilling method																	
Rotary drilling with carbide drill																	

Table C32.2: Group factors

Anchor rod		M6	M8	M6	M8	-	M8	M10	M8	M10	-	M12	M16	M12	M16	M12	M16
Internal threaded anchor FIS E		-	-	M6	M8					M10	M12						
				11x85						15x85							
Perforated sleeve FIS H K		12x50		12x85		16x85			16x130		20x85		20x130		20x200		
Group factors	$\alpha_{g,N \parallel}$						1,7										
	$\alpha_{g,V \parallel}$						0,5										
	$\alpha_{g,N \perp}$	[-]					1,3										
	$\alpha_{g,V \perp}$						0,5										

fischer injection system FIS V for masonry

Performance

Vertical perforated brick HLz, T10, T11, dimensions, installation parameters

Annex C 32

Vertical perforated brick HLz, T10, T11, EN 771-1

Table C33.1: Installation parameters
(Push through anchorage with perforated sleeve FIS H K)

Anchor rod		M10	M12	M16
Perforated sleeve FIS H K		18x130/200		22x130/200
Anchor rod with perforated sleeve FIS H K				
Max. installation torque	T_{inst}	[Nm]	5	
General installation parameters				
Edge distance	c_{min}	[mm]	60	
Spacing	$s_{min \parallel}$		80	
	$s_{cr \parallel}$		250	
	$s_{min \perp}$		80	
	$s_{cr \perp}$		250	
Drilling method				
Rotary drilling with carbide drill				

Table C33.2: Group factors

Anchor rod		M10	M12	M16
Perforated sleeve FIS H K		18x130/200		22x130/200
Group factors	$\alpha_{g,N \parallel}$	[-]	1,7	
	$\alpha_{g,V \parallel}$		0,5	
	$\alpha_{g,N \perp}$		1,3	
	$\alpha_{g,V \perp}$		0,5	

fischer injection system FIS V for masonry

Performance

Vertical perforated brick HLz, T10, T11, dimensions, installation parameters

Annex C 33

Appendix 54/ 131

Vertical perforated brick HLz, T10, T11, EN 771-1

Table C34.1: Characteristic resistance under tensile load (Pre-positioned anchorage)

Anchor rod	M6	M8	M6	M8	-	M8	M10	M8	M10	-	M12	M16	M12	M16	M12	M16
Internal threaded anchor FIS E	-		-		M6	M8	-		-		M10	M12	-		-	
					11x85						15x85					
Perforated sleeve FIS H K	12x50		12x85		16x85			16x130		20x85			20x130		20x200	

Tensile load N_{Rk} [kN] depending on the compressive strength f_b (temperature range 50/80°C)

compressive strength f_b	use category																	
	8 N/mm ²	w/w	w/d	1,5														1,5
d/d		1,5														2,0		
10 N/mm ²	w/w	w/d	1,5														2,0	
	d/d		2,0														2,0	
12 N/mm ²	w/w	w/d	2,0														2,0	
	d/d		2,0														2,5	

Table C34.2: Characteristic resistance under tensile load (Push through anchorage)

Anchor rod	M10	M12	M16
Perforated sleeve FIS H K	18x130/200		22x130/200

Tensile load N_{Rk} [kN] depending on the compressive strength f_b (temperature range 50/80°C)

compressive strength f_b	use category																	
	8 N/mm ²	w/w	w/d	1,5														1,5
d/d		2,0														2,0		
10 N/mm ²	w/w	w/d	2,0														2,0	
	d/d		2,0														2,0	
12 N/mm ²	w/w	w/d	2,0														2,0	
	d/d		2,5														2,5	

Factor for job site tests and displacements see annex C110

Factor for temperature range 72/120°C: 0,83

fischer injection system FIS V for masonry

Performance

Vertical perforated brick HLz, T10, T11, Characteristic resistance under tensile load

Annex C 34

Appendix 55/ 131

Vertical perforated brick HLz, T10, T11, EN 771-1

Table C35.1: Characteristic resistance under shear load (Pre-positioned anchorage)

Anchor rod	M6	M8	M6	M8	-	M8	M10	M8	M10	-	M12	M16	M12	M16	M12	M16
Internal threaded anchor FIS E	-		-		M6	M8	-		-		M10	M12	-		-	
					11x85						15x85					
Perforated sleeve FIS H K	12x50		12x85		16x85			16x130		20x85			20x130		20x200	

Shear load V_{RK} [kN] depending on the compressive strength f_b (temperature range 50/80°C and 72/120°C)

compressive strength f_b	use category				
	w/w	w/d			
8 N/mm ²	w/w	w/d	0,9	1,5	2,0
	d/d				
10 N/mm ²	w/w	w/d	0,9	1,5	2,0
	d/d				
12 N/mm ²	w/w	w/d	1,2	2,0	2,0
	d/d				

Table C35.2: Characteristic resistance under shear load (Push through anchorage)

Anchor rod	M10		M12		M16	
Perforated sleeve FIS H K	18x130/200				22x130/200	

Shear load V_{RK} [kN] depending on the compressive strength f_b (temperature range 50/80°C and 72/120°C)

compressive strength f_b	use category				
	w/w	w/d			
8 N/mm ²	w/w	w/d	1,5		2,0
	d/d				
10 N/mm ²	w/w	w/d	1,5		2,0
	d/d				
12 N/mm ²	w/w	w/d	2,0		2,0
	d/d				

Factor for job site tests and displacements see annex C110

fischer injection system FIS V for masonry

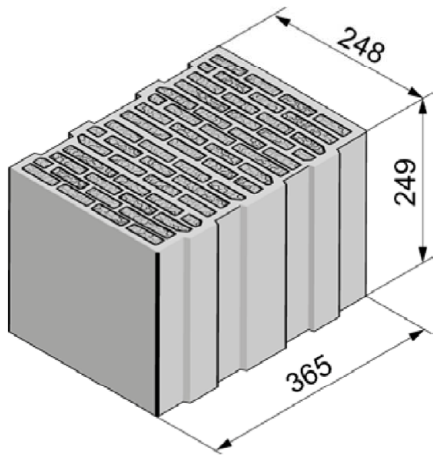
Performance

Vertical perforated brick HLz, T10, T11, Characteristic resistance under shear load

Annex C 35

Appendix 56/ 131

Vertical perforated brick HLz, T7 PF, filled with perlite, EN 771-1



Vertical perforated brick HLz, T7 PF, filled with perlite, EN 771-1			
Producer	-		
Nominal dimensions [mm]	length L	width W	height H
	248	365	249
Density ρ [kg/dm ³]	0,5		
Compressive strength f_b [N/mm ²]	4 / 6		
Standard or annex	EN 771-1		

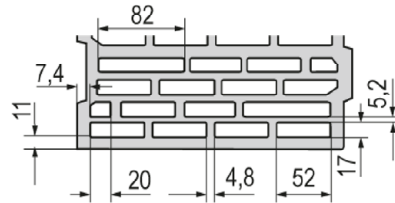


Table C36.1: Installation parameters
(Pre-positioned anchorage with perforated sleeve FIS H K)

Anchor rod	M6	M8	M6	M8	-	M8	M10	M8	M10	-	M12	M16	M12	M16	M12	M16	
Internal threaded anchor FIS E	-	-	M6	M8	11x85	-	-	-	M10	M12	15x85	-	-	-	-	-	
Perforated sleeve FIS H K	12x50	12x85	16x85		16x130	20x85		20x130	20x200								
Ankerstangen und Innengewindeanker FIS E mit Injektionsanker-Hülse FIS H K																	
Max. installation torque	T_{inst} [Nm]	2				5	2	5									
General installation parameters																	
Edge distance	C_{min}					60											
Spacing	$S_{min \parallel}$					80											
	$S_{cr \parallel}$					250											
	$S_{min \perp}$					80											
	$S_{cr \perp}$					250											
Drilling method																	
Rotary drilling with carbide drill																	

Table C36.2: Group factors

Anchor rod	M6	M8	M6	M8	-	M8	M10	M8	M10	-	M12	M16	M12	M16	M12	M16
Internal threaded anchor FIS E	-	-	M6	M8	11x85	-	-	-	M10	M12	15x85	-	-	-	-	-
Perforated sleeve FIS H K	12x50	12x85	16x85		16x130	20x85		20x130	20x200							
Group factors	$\alpha_{g,N \parallel}$					1,1										
	$\alpha_{g,V \parallel}$					1,2										
	$\alpha_{g,N \perp}$					1,1										
	$\alpha_{g,V \perp}$					1,2										

fischer injection system FIS V for masonry

Performance

Vertical perforated brick HLz, T7 PF, filled with perlite, dimensions, installation parameters

Annex C 36

Vertical perforated brick HLz, T7 PF, filled with perlite, EN 771-1

Table C37.1: Installation parameters
(Push through anchorage with perforated sleeve FIS H K)

Anchor rod		M10	M12	M16
Perforated sleeve FIS H K		18x130/200		22x130/200
Anchor rod with perforated sleeve FIS H K				
Max. installation torque	T_{inst}	[Nm]	5	
General installation parameters				
Edge distance	c_{min}	[mm]	60	
Spacing	$s_{min \parallel}$		80	
	$s_{cr \parallel}$		250	
	$s_{min \perp}$		80	
	$s_{cr \perp}$		250	
Drilling method				
Rotary drilling with carbide drill				

Table C37.2: Group factors

Anchor rod		M10	M12	M16
Perforated sleeve FIS H K		18x130/200		22x130/200
Group factors	$\alpha_{g,N \parallel}$	[-]	1,1	
	$\alpha_{g,V \parallel}$		1,2	
	$\alpha_{g,N \perp}$		1,1	
	$\alpha_{g,V \perp}$		1,2	

fischer injection system FIS V for masonry

Performance

Vertical perforated brick HLz, T7 PF, filled with perlite, dimensions, installation parameters

Annex C 37

Appendix 58/ 131

Vertical perforated brick HLz, T7 PF, filled with perlite, EN 771-1

Table C38.1: Characteristic resistance under tensile load (Pre-positioned anchorage)

Anchor rod	M6	M8	M6	M8	-	M8	M10	M8	M10	-	M12	M16	M12	M16	M12	M16
Internal threaded anchor FIS E	-		-		M6	M8	-		-		M10	M12	-		-	
					11x85						15x85					
Perforated sleeve FIS H K	12x50		12x85		16x85			16x130		20x85			20x130		20x200	

Tensile load N_{Rk} [kN] depending on the compressive strength f_b (temperature range 50/80°C)

compressive strength f_b	use category							
	4 N/mm²	w/w	w/d	1,2		1,2	1,2	1,2
d/d		1,5		1,5	1,5	1,5	2,0	
6 N/mm²	w/w	w/d	1,5		1,5	1,5	1,5	2,5
	d/d		1,5		2,0	1,5	2,0	3,0

Table C38.2: Characteristic resistance under tensile load (Push through anchorage)

Anchor rod	M10	M12	M16
Perforated sleeve FIS H K	18x130/200		22x130/200

Tensile load N_{Rk} [kN] depending on the compressive strength f_b (temperature range 50/80°C)

compressive strength f_b	use category			
	4 N/mm²	w/w	w/d	1,2
d/d		1,5		
6 N/mm²	w/w	w/d	1,5	
	d/d		2,0	

Factor for job site tests and displacements see annex C110

Factor for temperature range 72/120°C: 0,83

fischer injection system FIS V for masonry

Performance

Vertical perforated brick HLz, T7 PF, filled with perlite,
Characteristic resistance under tensile load

Annex C 38

Appendix 59/ 131

Vertical perforated brick HLz, T7 PF, filled with perlite, EN 771-1

Table C39.1: Characteristic resistance under shear load (Pre-positioned anchorage)

Anchor rod	M6	M8	M6	M8	-	M8	M10	M8	M10	-	M12	M16	M12	M16	M12	M16
Internal threaded anchor FIS E	-		-		M6	M8	-		-		M10	M12	-		-	
					11x85						15x85					
Perforated sleeve FIS H K	12x50		12x85		16x85			16x130		20x85			20x130		20x200	

Shear load V_{RK} [kN] depending on the compressive strength f_b (temperature range 50/80°C and 72/120°C)

compressive strength f_b	use category															
4 N/mm ²	w/w	w/d	0,9	1,5						1,2						
	d/d															
6 N/mm ²	w/w	w/d	1,2	2,0						1,5						
	d/d															

Table C39.2: Characteristic resistance under shear load (Push through anchorage)

Anchor rod	M10			M12			M16		
Perforated sleeve FIS H K	18x130/200						22x130/200		

Shear load V_{RK} [kN] depending on the compressive strength f_b (temperature range 50/80°C and 72/120°C)

compressive strength f_b	use category															
4 N/mm ²	w/w	w/d	1,5						1,2							
	d/d															
6 N/mm ²	w/w	w/d	2,0						1,5							
	d/d															

Factor for job site tests and displacements see annex C110

fischer injection system FIS V for masonry

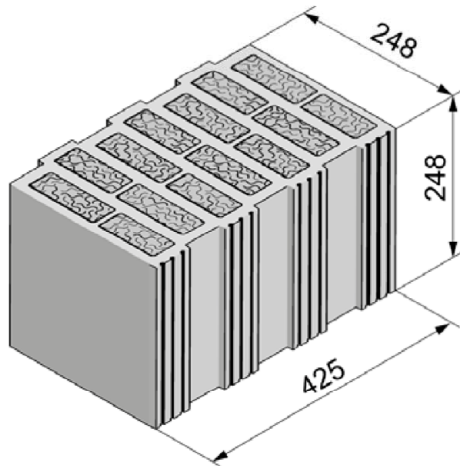
Performance

Vertical perforated brick HLz, T7 PF, filled with perlite,
Characteristic resistance under shear load

Annex C 39

Appendix 60/ 131

Vertical perforated brick HLz, T9 MW, filled with mineral wool, EN 771-1



Vertical perforated brick HLz, T9 MW, filled with mineral wool, EN 771-1			
Producer	-		
Nominal dimensions [mm]	length L	width W	height H
	248	425	248
Density ρ [kg/dm ³]	0,8		
Compressive strength f_b [N/mm ²]	4 / 6 / 8		
Standard or annex	EN 771-1		

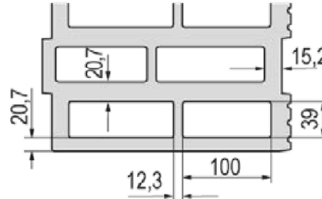


Table C40.1: Installation parameters
(Pre-positioned anchorage with perforated sleeve FIS H K)

Anchor rod	M6	M8	M6	M8	-	M8	M10	M8	M10	-	M12	M16	M12	M16	M12	M16
Internal threaded anchor FIS E	-	-	M6	M8	M6	M8	-	-	M10	M12	-	-	-	-	-	-
			11x85						15x85							
Perforated sleeve FIS H K	12x50		12x85		16x85			16x130		20x85			20x130		20x200	
Anchor rod and internal threaded anchor FIS E with perforated sleeve FIS H K																
Max. installation torque	T_{inst}	[Nm]	3				5	3	5							
General installation parameters																
Edge distance	C_{min}												60			
Spacing	$S_{min \parallel}$	[mm]											80			
	$S_{cr \parallel}$												250			
	$S_{min \perp}$												80			
	$S_{cr \perp}$												250			
Drilling method																
Rotary drilling with carbide drill																

Table C40.2: Group factors

Anchor rod	M6	M8	M6	M8	-	M8	M10	M8	M10	-	M12	M16	M12	M16	M12	M16
Internal threaded anchor FIS E	-	-	M6	M8	M6	M8	-	-	M10	M12	-	-	-	-	-	-
			11x85						15x85							
Perforated sleeve FIS H K	12x50		12x85		16x85			16x130		20x85			20x130		20x200	
Group factors	$\alpha_{g,N \parallel}$	[-]											1,3			
	$\alpha_{g,V \parallel}$												1,2			
	$\alpha_{g,N \perp}$												0,6			
	$\alpha_{g,V \perp}$												1,2			

fischer injection system FIS V for masonry

Performance

Vertical perforated brick HLz, T9 MW, filled with mineral wool, dimensions, installation parameters

Annex C 40

Vertical perforated brick HLz, T9 MW, filled with mineral wool, EN 771-1

Table C41.1: Installation parameters
(Push through anchorage with perforated sleeve FIS H K)

Anchor rod		M10	M12	M16
Perforated sleeve FIS H K		18x130/200		22x130/200
Anchor rod with perforated sleeve FIS H K				
Max. installation torque	T_{inst}	[Nm]	5	
General installation parameters				
Edge distance	C_{min}	[mm]	60	
Spacing	$S_{min \parallel}$		80	
	$S_{cr \parallel}$		250	
	$S_{min \perp}$		80	
	$S_{cr \perp}$		250	
Drilling method				
Rotary drilling with carbide drill				

Table C41.2: Group factors

Anchor rod		M10	M12	M16
Perforated sleeve FIS H K		18x130/200		22x130/200
Group factors	$\alpha_{g,N \parallel}$	[-]	1,3	
	$\alpha_{g,V \parallel}$		1,2	
	$\alpha_{g,N \perp}$		0,6	
	$\alpha_{g,V \perp}$		1,2	

fischer injection system FIS V for masonry

Performance

Vertical perforated brick HLz, T9 MW, filled with mineral wool, dimensions, installation parameters

Annex C 41

Appendix 62/ 131

Vertical perforated brick HLz, T9 MW, filled with mineral wool, EN 771-1
Table C42.1: Characteristic resistance under tensile load (Pre-positioned anchorage)

Anchor rod	M6	M8	M6	M8	-	M8	M10	M8	M10	-	M12	M16	M12	M16	M12	M16		
Internal threaded anchor FIS E	-		-		M6	M8	-		-		M10	M12	-		-			
					11x85						15x85							
Perforated sleeve FIS H K	12x50		12x85		16x85			16x130		20x85			20x130		20x200			
Tensile load N_{Rk} [kN] depending on the compressive strength f_b (temperature range 50/80°C)																		
compressive strength f_b	use category																	
	w/w	w/d																
4 N/mm ²	w/w	w/d	1,5				2,0				3,0				2,5		4,0	
	d/d		2,0				2,5				3,0				2,5		4,5	
6 N/mm ²	w/w	w/d	2,0				2,5				3,5				3,0		5,0	
	d/d		2,0				3,0				4,0				3,0		5,5	
8 N/mm ²	w/w	w/d	2,5				3,0				4,0				3,5		6,0	
	d/d		2,5				3,0				4,5				3,5		6,5	

Table C42.2: Characteristic resistance under tensile load (Push through anchorage)

Anchor rod	M10				M12				M16					
Perforated sleeve FIS H K	18x130/200								22x130/200					
Tensile load N_{Rk} [kN] depending on the compressive strength f_b (temperature range 50/80°C)														
compressive strength f_b	use category													
	w/w	w/d												
4 N/mm ²	w/w	w/d	3,0								4,0			
	d/d		3,0								4,5			
6 N/mm ²	w/w	w/d	3,5								5,0			
	d/d		4,0								5,5			
8 N/mm ²	w/w	w/d	4,0								6,0			
	d/d		4,5								6,5			

Factor for job site tests and displacements see annex C110

Factor for temperature range 72/120°C: 0,83

fischer injection system FIS V for masonry

Performance

Vertical perforated brick HLz, T9 MW, filled with mineral wool;
Characteristic resistance under tensile load

Annex C 42

Appendix 63/ 131

Vertical perforated brick HLz, T9 MW, filled with mineral wool, EN 771-1
Table C43.1: Characteristic resistance under shear load (Pre-positioned anchorage)

Anchor rod	M6	M8	M6	M8	-	M8	M10	M8	M10	-	M12	M16	M12	M16	M12	M16
Internal threaded anchor FIS E	-		-		M6	M8	-		-		M10	M12	-		-	
					11x85						15x85					
Perforated sleeve FIS H K	12x50		12x85		16x85			16x130		20x85			20x130		20x200	
Shear load V_{RK} [kN] depending on the compressive strength f_b (temperature range 50/80°C and 72/120°C)																
compressive strength f_b	use category															
4 N/mm ²	w/w	w/d	2,0	2,0				2,5	2,0				1,5			
	d/d															
6 N/mm ²	w/w	w/d	2,5	2,5				3,0	2,5				2,0			
	d/d															
8 N/mm ²	w/w	w/d	2,5	3,0				4,0	3,0				2,5			
	d/d															

Table C43.2: Characteristic resistance under shear load (Push through anchorage)

Anchor rod	M10		M12		M16	
Perforated sleeve FIS H K	18x130/200				22x130/200	
Shear load V_{RK} [kN] depending on the compressive strength f_b (temperature range 50/80°C and 72/120°C)						
compressive strength f_b	use category					
4 N/mm ²	w/w	w/d	2,5			2,0
	d/d					
6 N/mm ²	w/w	w/d	3,0			2,5
	d/d					
8 N/mm ²	w/w	w/d	4,0			3,0
	d/d					

Factor for job site tests and displacements see annex C110

fischer injection system FIS V for masonry

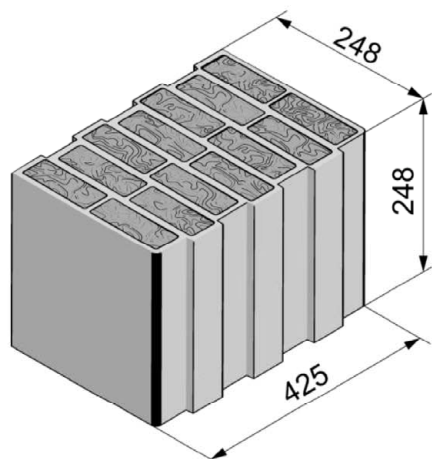
Performance

Vertical perforated brick HLz, T9 MW, filled with mineral wool;
Characteristic resistance under shear load

Annex C 43

Appendix 64/ 131

Vertical perforated brick HLz, FZ 7, filled with mineral wool, EN 771-1



Vertical perforated brick HLz, FZ 7, filled with mineral wool, EN 771-1			
Producer	-		
Nominal dimensions [mm]	length L	width W	height H
	248	425	248
Density ρ [kg/dm ³]	0,6		
Compressive strength f_b [N/mm ²]	4 / 6 / 8		
Standard or annex	EN 771-1		

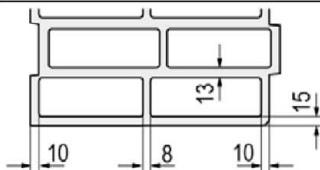


Table C44.1: Installation parameters
(Pre-positioned anchorage with perforated sleeve FIS H K)

Anchor rod	M6	M8	M6	M8	-	M8	M10	M8	M10	-	M12	M16	M12	M16	M12	M16		
Internal threaded anchor FIS E	-	-	M6	M8	11x85	-	-	-	M10	M12	15x85	-	-	-	-	-		
Perforated sleeve FIS H K	12x50	12x85	16x85			16x130		20x85			20x130	20x200						
Anchor rod and internal threaded anchor FIS E with perforated sleeve FIS H K																		
Max. installation torque	T_{inst}	[Nm]	2			5	2	5										
General installation parameters																		
Edge distance	C_{min}					60												
Spacing	$S_{min \parallel}$	[mm]				80												
	$S_{cr \parallel}$					250												
	$S_{min \perp}$					80												
	$S_{cr \perp}$					250												
Drilling method																		
Rotary drilling with carbide drill																		

Table C44.2: Group factors

Anchor rod	M6	M8	M6	M8	-	M8	M10	M8	M10	-	M12	M16	M12	M16	M12	M16	
Internal threaded anchor FIS E	-	-	M6	M8	11x85	-	-	-	M10	M12	15x85	-	-	-	-	-	
Perforated sleeve FIS H K	12x50	12x85	16x85			16x130		20x85			20x130	20x200					
Group factors	$\alpha_{g,N \parallel}$	[-]				1,9											
	$\alpha_{g,V \parallel}$					0,9											
	$\alpha_{g,N \perp}$					1,0											
	$\alpha_{g,V \perp}$					0,7											

fischer injection system FIS V for masonry

Performance

Vertical perforated brick HLz, FZ 7, filled with mineral wool;
dimensions, installation parameters

Annex C 44

Appendix 65/ 131

Vertical perforated brick HLz, FZ 7, filled with mineral wool, EN 771-1

Table C45.1: Installation parameters
(Push through anchorage with perforated sleeve FIS H K)

Anchor rod		M10	M12	M16
Perforated sleeve FIS H K		18x130/200		22x130/200
Anchor rod with perforated sleeve FIS H K				
Max. installation torque	T_{inst}	[Nm]	5	
General installation parameters				
Edge distance	c_{min}	[mm]	60	
Spacing	$s_{min \parallel}$		80	
	$s_{cr \parallel}$		250	
	$s_{min \perp}$		80	
	$s_{cr \perp}$		250	
Drilling method				
Rotary drilling with carbide drill				

Table C45.2: Group factors

Anchor rod		M10	M12	M16
Perforated sleeve FIS H K		18x130/200		22x130/200
Group factors	$\alpha_{g,N \parallel}$	[-]	1,9	
	$\alpha_{g,V \parallel}$		0,9	
	$\alpha_{g,N \perp}$		1,0	
	$\alpha_{g,V \perp}$		0,7	

fischer injection system FIS V for masonry

Performance

Vertical perforated brick HLz, FZ 7, filled with mineral wool;
dimensions, installation parameters

Annex C 45

Appendix 66/ 131

Vertical perforated brick HLz, FZ 7, filled with mineral wool, EN 771-1
Table C46.1: Characteristic resistance under tensile load (Pre-positioned anchorage)

Anchor rod	M6	M8	M6	M8	-	M8	M10	M8	M10	-	M12	M16	M12	M16	M12	M16
Internal threaded anchor FIS E	-		-		M6	M8	-		-		M10	M12	-		-	
					11x85						15x85					
Perforated sleeve FIS H K	12x50		12x85		16x85			16x130		20x85			20x130		20x200	
Tensile load N_{Rk} [kN] depending on the compressive strength f_b (temperature range 50/80°C)																
compressive strength f_b	use category															
	w/w	w/d														
4 N/mm ²	d/d		0,6	0,75	1,5			2,0		1,2			2,0		2,0	
	d/d		0,6	0,9	1,5			2,0		1,5			2,0		2,5	
6 N/mm ²	w/w	w/d	0,75	0,9	1,5			2,0		1,5			2,5		2,5	
	d/d		0,9	0,9	2,0			2,5		2,0			2,5		3,0	
8 N/mm ²	w/w	w/d	0,9	1,2	2,0			2,5		2,0			2,5		3,0	
	d/d		0,9	1,2	2,0			3,0		2,0			3,0		3,5	

Table C46.2: Characteristic resistance under tensile load (Push through anchorage)

Anchor rod	M10				M12				M16			
Perforated sleeve FIS H K	18x130/200								22x130/200			
Tensile load N_{Rk} [kN] depending on the compressive strength f_b (temperature range 50/80°C)												
compressive strength f_b	use category											
	w/w	w/d										
4 N/mm ²	d/d		2,0				2,0					
	d/d		2,0				2,0					
6 N/mm ²	w/w	w/d	2,0				2,5					
	d/d		2,5				2,5					
8 N/mm ²	w/w	w/d	2,5				2,5					
	d/d		3,0				3,0					

Factor for job site tests and displacements see annex C110

Factor for temperature range 72/120°C: 0,83

fischer injection system FIS V for masonry

Performance

Vertical perforated brick HLz, FZ 7, filled with mineral wool;
Characteristic resistance under tensile load

Annex C 46

Appendix 67/ 131

Vertical perforated brick HLz, FZ 7, filled with mineral wool, EN 771-1

Table C47.1: Characteristic resistance under shear load (Pre-positioned anchorage)

Anchor rod	M6	M8	M6	M8	-	M8	M10	M8	M10	-	M12	M16	M12	M16	M12	M16		
Internal threaded anchor FIS E	-		-		M6	M8	-		-		M10	M12	-		-			
					11x85						15x85							
Perforated sleeve FIS H K	12x50		12x85		16x85			16x130		20x85			20x130		20x200			
Shear load V_{RK} [kN] depending on the compressive strength f_b (temperature range 50/80°C and 72/120°C)																		
compressive strength f_b	use category																	
4 N/mm ²	w/w	w/d	1,2								1,5						1,5	
	d/d																	
6 N/mm ²	w/w	w/d	1,5								2,0						1,5	
	d/d																	
8 N/mm ²	w/w	w/d	1,5								2,5						2,0	
	d/d																	

Table C47.2: Characteristic resistance under shear load (Push through anchorage)

Anchor rod	M10		M12		M16					
Perforated sleeve FIS H K	18x130/200				22x130/200					
Shear load V_{RK} [kN] depending on the compressive strength f_b (temperature range 50/80°C and 72/120°C)										
compressive strength f_b	use category									
4 N/mm ²	w/w	w/d							1,5	
	d/d									
6 N/mm ²	w/w	w/d							2,0	
	d/d									
8 N/mm ²	w/w	w/d							2,5	
	d/d									

Factor for job site tests and displacements see annex C110

fischer injection system FIS V for masonry

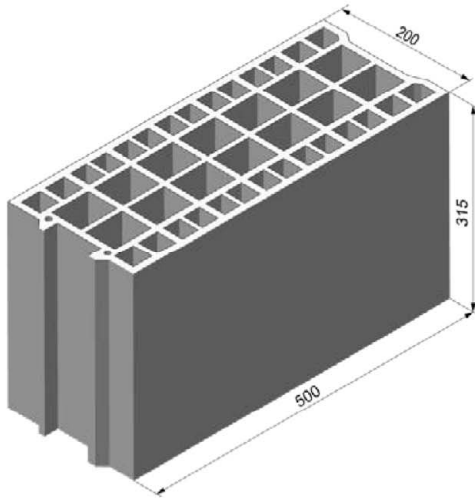
Performance

Vertical perforated brick HLz, FZ 7, filled with mineral wool;
Characteristic resistance under shear load

Annex C 47

Appendix 68/ 131

Vertical perforated brick HLz, EN 771-1



Vertical perforated brick HLz, EN 771-1			
Producer	e.g. Bouyer Leroux		
Nominal dimensions [mm]	length L	width W	height H
	500	200	315
Density ρ [kg/dm ³]	≥ 0,6		
Compressive strength f_b [N/mm ²]	4 / 6 / 8		
Standard or annex	EN 771-1		

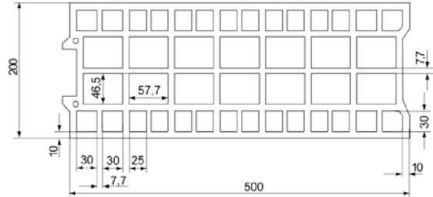


Table C48.1: Installation parameters
(Pre-positioned anchorage with perforated sleeve FIS H K)

Anchor rod	M6	M8	M6	M8	-	M8	M10	M8	M10	-	M12	M16	M12	M16	
Internal threaded anchor FIS E	-	-			M6	M8					M10	M12			
					11x85						15x85				
Perforated sleeve FIS H K	12x50		12x85		16x85			16x130		20x85			20x130		
Anchor rod and internal threaded anchor FIS E with perforated sleeve FIS H K															
Max. installation torque	T_{inst}	[Nm]													2
General installation parameters															
Edge distance	C_{min}	[mm]													120
Spacing	$S_{min \parallel}$														120
	$S_{cr \parallel}$														500
	$S_{min \perp} = S_{cr \perp}$														315
Drilling method															
Hammer drilling with hard metal hammer drill															

Table C48.2: Group factors

Anchor rod	M6	M8	M6	M8	-	M8	M10	M8	M10	-	M12	M16	M12	M16	
Internal threaded anchor FIS E	-	-			M6	M8					M10	M12			
					11x85						15x85				
Perforated sleeve FIS H K	12x50		12x85		16x85			16x130		20x85			20x130		
Group factors	$\alpha_{g,N \parallel}$	[-]													1,3
	$\alpha_{g,V \parallel}$														1,7
	$\alpha_{g,N \perp} = \alpha_{g,V \perp}$														2

fischer injection system FIS V for masonry

Performance

Vertical perforated brick HLz, dimensions, installation parameters

Annex C 48

Appendix 69/ 131

Vertical perforated brick HLz, EN 771-1

Table C49.1: Installation parameters
(Push through anchorage with perforated sleeve FIS H K)

Anchor rod		M10	M12	M16
Perforated sleeve FIS H K		18x130/200		22x130/200
Anchor rod with perforated sleeve FIS H K				
Max. installation torque	T_{inst}	[Nm]	2	
General installation parameters				
Edge distance	C_{min}	[mm]	120	
Spacing	$S_{min \parallel}$		120	
	$S_{cr \parallel}$		500	
	$S_{min \perp} = S_{cr \perp}$		315	
Drilling method				
Hammer drilling with hard metal hammer drill				

Table C49.2: Group factors

Anchor rod		M10	M12	M16
Perforated sleeve FIS H K		18x130/200		22x130/200
Group factors	$\alpha_{g,N \parallel}$	[-]	1,3	
	$\alpha_{g,V \parallel}$		1,7	
	$\alpha_{g,N \perp} = \alpha_{g,V \perp}$		2	

fischer injection system FIS V for masonry

Performance
Vertical perforated brick HLz, dimensions, installation parameters

Annex C 49

Appendix 70/ 131

Vertical perforated brick HLz, EN 771-1

Table C50.1: Characteristic resistance under tensile load (Pre-positioned anchorage)

Anchor rod	M6	M8	M6	M8	-	M8	M10	M8	M10	-	M12	M16	M12	M16
Internal threaded anchor FIS E	-		-		M6	M8	-		-		M10	M12	-	
					11x85						15x85			
Perforated sleeve FIS H K	12x50		12x85		16x85			16x130		20x85			20x130	
Tensile load N_{Rk} [kN] depending on the compressive strength f_b (temperature range 50/80°C)														
compressive strength f_b	use category													
4 N/mm ²	w/w	w/d	0,5		1,5			0,75		1,5		1,5		
	d/d		0,6		1,5			0,9		1,5		2,0		
6 N/mm ²	w/w	w/d	0,75		2,0			1,2		2,0		2,5		
	d/d		0,9		2,5			1,2		2,5		2,5		
8 N/mm ²	w/w	w/d	0,9		3,0			1,5		3,0		3,5		
	d/d		1,2		3,0			2,0		3,0		3,5		

Table C50.2: Characteristic resistance under tensile load (Push through anchorage)

Anchor rod	M10		M12		M16	
Perforated sleeve FIS H K	18x130/200				22x130/200	
Tensile load N_{Rk} [kN] depending on the compressive strength f_b (temperature range 50/80°C)						
compressive strength f_b	use category					
4 N/mm ²	w/w	w/d	0,75		1,5	
	d/d		0,9		2,0	
6 N/mm ²	w/w	w/d	1,2		2,5	
	d/d		1,2		2,5	
8 N/mm ²	w/w	w/d	1,5		3,5	
	d/d		2,0		3,5	

Factor for job site tests and displacements see annex C110

Factor for temperature range 72/120°C: 0,83

fischer injection system FIS V for masonry

Performance

Vertical perforated brick HLz, Characteristic resistance under tensile load

Annex C 50

Appendix 71/ 131

Vertical perforated brick HLz, EN 771-1

Table C51.1: Characteristic resistance under shear load (Pre-positioned anchorage)

Anchor rod	M6	M8	M6	M8	-	M8	M10	M8	M10	-	M12	M16	M12	M16
Internal threaded anchor FIS E	-		-		M6	M8	-		-		M10	M12	-	
					11x85						15x85			
Perforated sleeve FIS H K	12x50		12x85		16x85			16x130		20x85			20x130	
Shear load V_{RK} [kN] depending on the compressive strength f_b (temperature range 50/80°C and 72/120°C)														
compressive strength f_b	use category													
4 N/mm ²	w/w	w/d	1,5					0,9	1,5		2,5	0,9		
	d/d													
6 N/mm ²	w/w	w/d	2,5					1,5	2,5		3,5	1,5		
	d/d													
8 N/mm ²	w/w	w/d	3,5					2,0	3,5		4,5	2,0		
	d/d													

Table C51.2: Characteristic resistance under shear load (Push through anchorage)

Anchor rod	M10		M12		M16	
Perforated sleeve FIS H K	18x130/200				22x130/200	
Shear load V_{RK} [kN] depending on the compressive strength f_b (temperature range 50/80°C and 72/120°C)						
compressive strength f_b	use category					
4 N/mm ²	w/w	w/d	0,9			
	d/d					
6 N/mm ²	w/w	w/d	1,5			
	d/d					
8 N/mm ²	w/w	w/d	2,0			
	d/d					

Factor for job site tests and displacements see annex C110

fischer injection system FIS V for masonry

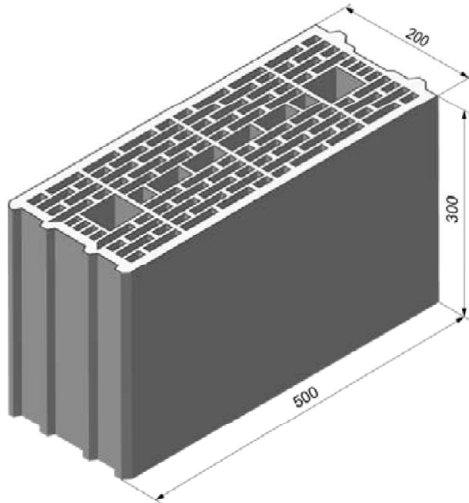
Performance

Vertical perforated brick HLz, Characteristic resistance under shear load

Annex C 51

Appendix 72/ 131

Vertical perforated brick HLz, EN 771-1



Vertical perforated brick HLz, EN 771-1			
Producer	e.g. Wienerberger		
Nominal dimensions [mm]	length L	width W	height H
	500	200	300
Density ρ [kg/dm ³]	$\geq 0,7$		
Compressive strength f_b [N/mm ²]	4 / 6 / 8 / 10		
Standard or annex	EN 771-1		

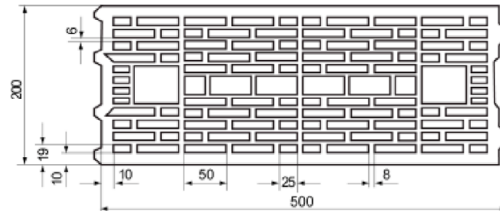


Table C52.1: Installation parameters
(Pre-positioned anchorage with perforated sleeve FIS H K)

Anchor rod	M6	M8	M6	M8	-	M8	M10	M8	M10	-	M12	M16	M12	M16
Internal threaded anchor FIS E	-		-		M6	M8	-		-		M10	M12	-	
					11x85						15x85			
Perforated sleeve FIS H K	12x50		12x85		16x85			16x130		20x85			20x130	
Anchor rod and internal threaded anchor FIS E with perforated sleeve FIS H K														
Max. installation torque	T_{inst}	[Nm]	2											
General installation parameters														
Edge distance	c_{min}	[mm]	50					80			50	80		
Spacing	$s_{min \parallel}$		100											
	$s_{cr \parallel}$		500											
	$s_{min \perp} = s_{cr \perp}$		300											
Drilling method														
Hammer drilling with hard metal hammer drill														

Table C52.2: Group factors

Anchor rod	M6	M8	M6	M8	-	M8	M10	M8	M10	-	M12	M16	M12	M16
Internal threaded anchor FIS E	-		-		M6	M8	-		-		M10	M12	-	
					11x85						15x85			
Perforated sleeve FIS H K	12x50		12x85		16x85			16x130		20x85			20x130	
Group factors	$\alpha_{g,N \parallel}$	[-]	1,4											
	$\alpha_{g,V \parallel}$		2											
	$\alpha_{g,N \perp} = \alpha_{g,V \perp}$													

fischer injection system FIS V for masonry

Performance

Vertical perforated brick HLz, dimensions, installation parameters

Annex C 52

Appendix 73/ 131

Vertical perforated brick HLz, EN 771-1

Table C53.1: Installation parameters
(Push through anchorage with perforated sleeve FIS H K)

Anchor rod		M10	M12	M16
Perforated sleeve FIS H K		18x130/200		22x130/200
Anchor rod with perforated sleeve FIS H K				
Max. installation torque	T_{inst}	[Nm]	2	
General installation parameters				
Edge distance	c_{min}	[mm]	80	
Spacing	$s_{min \parallel}$		100	
	$s_{cr \parallel}$		500	
	$s_{min \perp} = s_{cr \perp}$		300	
Drilling method				
Hammer drilling with hard metal hammer drill				

Table C53.2: Group factors

Anchor rod		M10	M12	M16
Perforated sleeve FIS H K		18x130/200		22x130/200
Group factors	$\alpha_{g,N \parallel}$	[-]	1,4	
	$\alpha_{g,V \parallel}$		2	
	$\alpha_{g,N \perp} = \alpha_{g,V \perp}$			

fischer injection system FIS V for masonry

Performance
Vertical perforated brick HLz, dimensions, installation parameters

Annex C 53

Appendix 74/ 131

Vertical perforated brick HLz, EN 771-1

Table C54.1: Characteristic resistance under tensile load (Pre-positioned anchorage)

Anchor rod	M6	M8	M6	M8	-	M8	M10	M8	M10	-	M12	M16	M12	M16
Internal threaded anchor FIS E	-		-		M6	M8	-		-		M10	M12	-	
					11x85						15x85			
Perforated sleeve FIS H K	12x50		12x85		16x85			16x130		20x85			20x130	
Tensile load N_{Rk} [kN] depending on the compressive strength f_b (temperature range 50/80°C)														
compressive strength f_b	use category													
4 N/mm ²	w/w	w/d	0,5		0,6			1,2		0,75			1,5	
	d/d		0,6		0,75			1,2		0,9			1,5	
6 N/mm ²	w/w	w/d	0,75		0,9			1,5		1,2			2,0	
	d/d		0,9		1,2			2,0		1,2			2,5	
8 N/mm ²	w/w	w/d	0,9		1,2			2,0		1,5			2,5	
	d/d		1,2		1,5			2,5		1,5			3,0	
10 N/mm ²	w/w	w/d	1,2		1,5			2,5		2,0			3,5	
	d/d		1,5		2,0			3,0		2,0			4,0	

Table C54.2: Characteristic resistance under tensile load (Push through anchorage)

Anchor rod	M10		M12		M16	
Perforated sleeve FIS H K	18x130/200				22x130/200	
Tensile load N_{Rk} [kN] depending on the compressive strength f_b (temperature range 50/80°C)						
compressive strength f_b	use category					
4 N/mm ²	w/w	w/d	1,2		1,5	
	d/d		1,2		1,5	
6 N/mm ²	w/w	w/d	1,5		2,0	
	d/d		2,0		2,5	
8 N/mm ²	w/w	w/d	2,0		2,5	
	d/d		2,5		3,0	
10 N/mm ²	w/w	w/d	2,5		3,5	
	d/d		3,0		4,0	

Factor for job site tests and displacements see annex C110

Factor for temperature range 72/120°C: 0,83

fischer injection system FIS V for masonry

Performance

Vertical perforated brick HLz, Characteristic resistance under tensile load

Annex C 54

Appendix 75/ 131

Vertical perforated brick HLz, EN 771-1

Table C55.1: Characteristic resistance under shear load (Pre-positioned anchorage)

Anchor rod	M6	M8	M6	M8	-	M8	M10	M8	M10	-	M12	M16	M12	M16
Internal threaded anchor FIS E	-		-		M6	M8	-		-		M10	M12	-	
					11x85						15x85			
Perforated sleeve FIS H K	12x50		12x85		16x85			16x130		20x85			20x130	
Shear load V_{RK} [kN] depending on the compressive strength f_b (temperature range 50/80°C and 72/120°C)														
compressive strength f_b	use category													
4 N/mm ²	w/w	w/d	0,9	1,2	0,9	1,2	0,6	2,0	0,6					
	d/d													
6 N/mm ²	w/w	w/d	1,2	1,5	1,2	1,5	0,9	3,0	0,9					
	d/d													
8 N/mm ²	w/w	w/d	1,5	2,0	1,5	2,0	1,2	4,0	1,2					
	d/d													
10 N/mm ²	w/w	w/d	2,0	3,0	2,0	3,0	1,5	5,0	1,5					
	d/d													

Table C55.2: Characteristic resistance under shear load (Push through anchorage)

Anchor rod	M10		M12		M16	
Perforated sleeve FIS H K	18x130/200				22x130/200	
Shear load V_{RK} [kN] depending on the compressive strength f_b (temperature range 50/80°C and 72/120°C)						
compressive strength f_b	use category					
4 N/mm ²	w/w	w/d	0,6			
	d/d					
6 N/mm ²	w/w	w/d	0,9			
	d/d					
8 N/mm ²	w/w	w/d	1,2			
	d/d					
10 N/mm ²	w/w	w/d	1,5			
	d/d					

Factor for job site tests and displacements see annex C110

fischer injection system FIS V for masonry

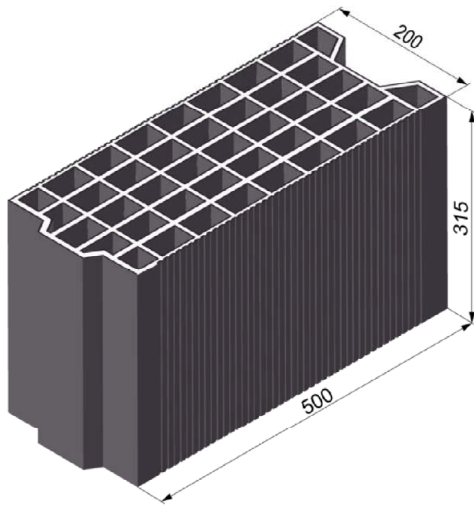
Performance

Vertical perforated brick HLz, Characteristic resistance under shear load

Annex C 55

Appendix 76/ 131

Vertical perforated brick HLz, EN 771-1



Vertical perforated brick HLz, EN 771-1			
Producer		e.g. Terreal	
Nominal dimensions [mm]		length L	width W
		500	200
Density ρ [kg/dm ³]		$\geq 0,7$	
Compressive strength f_b [N/mm ²]		2 / 4 / 6 / 8	
Standard or annex		EN 771-1	

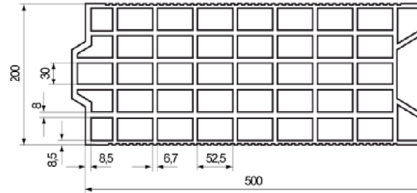


Table C56.1: Installation parameters
(Pre-positioned anchorage with perforated sleeve FIS H K)

Anchor rod	M6	M8	M6	M8	-	M8	M10	M8	M10	-	M12	M16	M12	M16
Internal threaded anchor FIS E	-		-		M6	M8	-		-		M10	M12	-	
					11x85						15x85			
Perforated sleeve FIS H K	12x50		12x85		16x85			16x130		20x85			20x130	

Anchor rod and internal threaded anchor FIS E with perforated sleeve FIS H K

Max. installation torque	T_{inst}	[Nm]	2											
General installation parameters														
Edge distance	C_{min}	[mm]	50					80		50			80	
Spacing	$S_{min \parallel}$		100											
	$S_{cr \parallel}$		500											
	$S_{min \perp}$		100											
	$S_{cr \perp}$		315											

Drilling method

Hammer drilling with hard metal hammer drill

Table C56.2: Group factors

Anchor rod	M6	M8	M6	M8	-	M8	M10	M8	M10	-	M12	M16	M12	M16
Internal threaded anchor FIS E	-		-		M6	M8	-		-		M10	M12	-	
					11x85						15x85			
Perforated sleeve FIS H K	12x50		12x85		16x85			16x130		20x85			20x130	

Group factors	$\alpha_{g,N \parallel}$	[-]	1,1											
	$\alpha_{g,V \parallel}$		1,2											
	$\alpha_{g,N \perp}$		1,1											
	$\alpha_{g,V \perp}$		1,2											

fischer injection system FIS V for masonry

Performance

Vertical perforated brick HLz, dimensions, installation parameters

Annex C 56

Appendix 77/ 131

Vertical perforated brick HLz, EN 771-1

Table C57.1: Installation parameters
(Push through anchorage with perforated sleeve FIS H K)

Anchor rod		M10	M12	M16
Perforated sleeve FIS H K		18x130/200		22x130/200
Anchor rod with perforated sleeve FIS H K				
Max. installation torque	T_{inst}	[Nm]	2	
General installation parameters				
Edge distance	c_{min}	[mm]	80	
Spacing	$s_{min \parallel}$		100	
	$s_{cr \parallel}$		500	
	$s_{min \perp}$		100	
	$s_{cr \perp}$		315	
Drilling method				
Hammer drilling with hard metal hammer drill				

Table C57.2: Group factors

Anchor rod		M10	M12	M16
Perforated sleeve FIS H K		18x130/200		22x130/200
Group factors	$\alpha_{g,N \parallel}$	[-]	1,1	
	$\alpha_{g,V \parallel}$		1,2	
	$\alpha_{g,N \perp}$		1,1	
	$\alpha_{g,V \perp}$		1,2	

fischer injection system FIS V for masonry

Performance
Vertical perforated brick HLz, dimensions, installation parameters

Annex C 57

Appendix 78/ 131

Vertical perforated brick HLz, EN 771-1

Table C58.1: Characteristic resistance under tensile load (Pre-positioned anchorage)

Anchor rod	M6	M8	M6	M8	-	M8	M10	M8	M10	-	M12	M16	M12	M16	
Internal threaded anchor FIS E	-		-		M6	M8	-		-		M10	M12	-		
					11x85						15x85				
Perforated sleeve FIS H K	12x50		12x85		16x85			16x130		20x85			20x130		
Tensile load N_{Rk} [kN] depending on the compressive strength f_b (temperature range 50/80°C)															
compressive strength f_b	use category														
	w/w	w/d													
2 N/mm ²	d/d		0,5						0,6		0,5			0,6	
	w/w	w/d	0,9												
4 N/mm ²	d/d		0,9		1,2										
	w/w	w/d	1,5												
6 N/mm ²	d/d		1,5												
	w/w	w/d	2,0												
8 N/mm ²	d/d		2,0												

Table C58.2: Characteristic resistance under tensile load (Push through anchorage)

Anchor rod	M10		M12		M16	
Perforated sleeve FIS H K	18x130/200				22x130/200	
Tensile load N_{Rk} [kN] depending on the compressive strength f_b (temperature range 50/80°C)						
compressive strength f_b	use category					
	w/w	w/d				
2 N/mm ²	d/d		0,6			
	w/w	w/d	0,9			
4 N/mm ²	d/d		1,2			
	w/w	w/d	1,5			
6 N/mm ²	d/d		1,5			
	w/w	w/d	2,0			
8 N/mm ²	d/d		2,0			

Factor for job site tests and displacements see annex C110

Factor for temperature range 72/120°C: 0,83

fischer injection system FIS V for masonry

Performance

Vertical perforated brick HLz, Characteristic resistance under tensile load

Annex C 58

Appendix 79/ 131

Vertical perforated brick HLz, EN 771-1

Table C59.1: Characteristic resistance under shear load (Pre-positioned anchorage)

Anchor rod	M6	M8	M6	M8	-	M8	M10	M8	M10	-	M12	M16	M12	M16
Internal threaded anchor FIS E	-		-		M6	M8	-		-		M10	M12	-	
					11x85						15x85			
Perforated sleeve FIS H K	12x50		12x85		16x85			16x130		20x85			20x130	
Shear load V_{RK} [kN] depending on the compressive strength f_b (temperature range 50/80°C and 72/120°C)														
compressive strength f_b	use category													
2 N/mm ²	w/w	w/d	0,3	0,6	0,3	0,6	0,6	0,6	0,6	0,9	0,9	0,9	0,9	0,75
	d/d													
4 N/mm ²	w/w	w/d	0,75	1,2	0,75	1,2	1,2	1,2	1,2	2,0	2,0	2,0	2,0	1,5
	d/d													
6 N/mm ²	w/w	w/d	0,9	2,0	0,9	2,0	2,0	1,5	1,5	3,0	3,0	3,0	3,0	2,0
	d/d													
8 N/mm ²	w/w	w/d	1,5	2,5	1,5	2,5	2,5	2,0	2,0	4,0	4,0	4,0	4,0	3,0
	d/d													

Table C59.2: Characteristic resistance under shear load (Push through anchorage)

Anchor rod	M10		M12		M16	
Perforated sleeve FIS H K	18x130/200				22x130/200	
Shear load V_{RK} [kN] depending on the compressive strength f_b (temperature range 50/80°C and 72/120°C)						
compressive strength f_b	use category					
2 N/mm ²	w/w	w/d	0,6			0,75
	d/d					
4 N/mm ²	w/w	w/d	1,2			1,5
	d/d					
6 N/mm ²	w/w	w/d	1,5			2,0
	d/d					
8 N/mm ²	w/w	w/d	2,0			3,0
	d/d					

Factor for job site tests and displacements see annex C110

fischer injection system FIS V for masonry

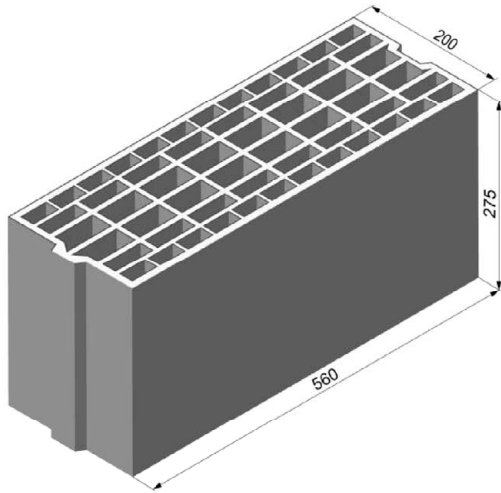
Performance

Vertical perforated brick HLz, Characteristic resistance under shear load

Annex C 59

Appendix 80/ 131

Vertical perforated brick HLz, EN 771-1



Vertical perforated brick HLz, EN 771-1			
Producer	e.g. Imery		
Nominal dimensions [mm]	length L	width W	height H
	560	200	275
Density ρ [kg/dm ³]	≥ 0,7		
Compressive strength f_b [N/mm ²]	4 / 6 / 8		
Standard or annex	EN 771-1		

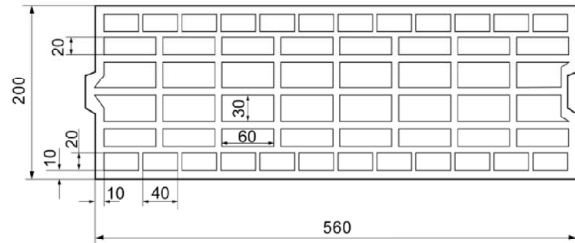


Table C60.1: Installation parameters

Anchor rod	M8	M10	M10	M12	M12	M16	M16
Perforated sleeve FIS H K	16x130		18x130/200		20x130		22x130/200
Anchor rod with perforated sleeve FIS H K							
Max. installation torque T_{inst} [Nm]	2						
General installation parameters							
Edge distance C_{min}	80						
Spacing $S_{min \parallel} = S_{cr \parallel}$	560						
	$S_{min \perp} = S_{cr \perp}$	275					
Drilling method							
Hammer drilling with hard metal hammer drill							

Table C60.2: Group factors

Anchor rod	M8	M10	M10	M12	M12	M16	M16
Perforated sleeve FIS H K	16x130		18x130/200		20x130		22x130/200
Group factors	$\alpha_{g,N \parallel}$	[-]	2				
	$\alpha_{g,v \parallel}$						
	$\alpha_{g,N \perp}$						
	$\alpha_{g,v \perp}$						

fischer injection system FIS V for masonry

Performance
Vertical perforated brick HLz, dimensions, installation parameters

Annex C 60

Appendix 81/ 131

Vertical perforated brick HLz, EN 771-1

Table C61.1: Characteristic resistance under tensile load

Anchor rod	M8	M10	M10	M12	M12	M16	M16	
Perforated sleeve FIS H K	16x130		18x130/200		20x130		22x130/200	
Tensile load N_{Rk} [kN] depending on the compressive strength f_b (temperature range 50/80°C)								
compressive strength f_b	use category							
4 N/mm ²	w/w	w/d	0,9				1,2	
	d/d		1,2				1,5	
6 N/mm ²	w/w	w/d	1,5				2,0	
	d/d		1,5				2,0	
8 N/mm ²	w/w	w/d	2,0				2,5	
	d/d		2,5				3,0	

Factor for temperature range 72/120°C: 0,83

Table C61.2: Characteristic resistance under shear load

Anchor rod	M8	M10	M10	M12	M12	M16	M16	
Perforated sleeve FIS H K	16x130		18x130/200		20x130		22x130/200	
Shear load V_{Rk} [kN] depending on the compressive strength f_b (temperature range 50/80°C and 72/120°C)								
compressive strength f_b	use category							
4 N/mm ²	w/w	w/d					0,9	
	d/d						0,9	
6 N/mm ²	w/w	w/d					1,5	
	d/d						1,5	
8 N/mm ²	w/w	w/d					2,0	
	d/d						2,0	

Factor for job site tests and displacements see annex C110

fischer injection system FIS V for masonry

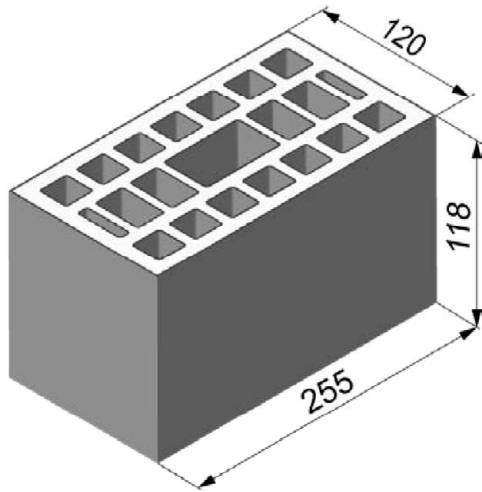
Performance

Vertical perforated brick HLz, Characteristic resistance under tensile and shear load

Annex C 61

Appendix 82/ 131

Vertical perforated brick HLz, EN 771-1



Vertical perforated brick HLz, EN 771-1			
Producer	e.g. Wienerberger		
Nominal dimensions [mm]	length L	width W	height H
	255	120	118
Density ρ [kg/dm ³]	≥ 1,0		
Compressive strength f_b [N/mm ²]	2 / 4 / 6 / 8 / 10 / 12		
Standard or annex	EN 771-1		

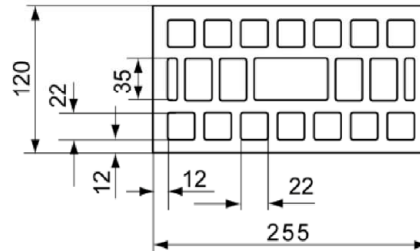


Table C62.1: Installation parameters

Anchor rod	M6	M8	M6	M8	-	M8	M10	-	M12	M16	
Internal threaded anchor FIS E	-		-		M6	M8	-		M10	M12	-
					11x85				15x85		
Perforated sleeve FIS H K	12x50		12x85		16x85			20x85			
Anchor rod and internal threaded anchor FIS E with perforated sleeve FIS H K											
Max. installation torque T_{inst} [Nm]	2										
General installation parameters											
Edge distance c_{min}	60										
Spacing	$S_{scr \parallel} = S_{min \parallel}$ [mm]										
	255										
	$S_{scr \perp} = S_{min \perp}$										
120											
Drilling method											
Hammer drilling with hard metal hammer drill											

Table C62.2: Group factors

Anchor rod	M6	M8	M6	M8	-	M8	M10	-	M12	M16	
Internal threaded anchor FIS E	-		-		M6	M8	-		M10	M12	-
					11x85				15x85		
Perforated sleeve FIS H K	12x50		12x85		16x85			20x85			
Group factors	$\alpha_{g,N \parallel}$										
	$\alpha_{g,v \parallel}$										
	$\alpha_{g,N \perp}$										
	$\alpha_{g,v \perp}$										
[-]											
2											

fischer injection system FIS V for masonry

Performance

Vertical perforated brick HLz, dimensions, installation parameters

Annex C 62

Appendix 83/ 131

Vertical perforated brick HLz, EN 771-1

Table C63.1: Characteristic resistance under tensile load

Anchor rod	M6	M8	M6	M8	-	M8	M10	-	M12	M16	
Internal threaded anchor FIS E	-		-		M6	M8	-		M10	M12	-
					11x85				15x85		
Perforated sleeve FIS H K	12x50		12x85		16x85			20x85			
Tensile load N_{Rk} [kN] depending on the compressive strength f_b (temperature range 50/80°C)											
compressive strength f_b	use category										
2 N/mm ²	w/w	w/d	0,4		0,5			- ¹⁾			
	d/d		0,5		0,5			- ¹⁾			
4 N/mm ²	w/w	w/d	0,9		0,9			0,5			
	d/d		0,9		1,2			0,5			
6 N/mm ²	w/w	w/d	1,2		1,5			0,75			
	d/d		1,5		1,5			0,75			
8 N/mm ²	w/w	w/d	1,5		2,0			0,9			
	d/d		2,0		2,0			0,9			
10 N/mm ²	w/w	w/d	2,0		2,5			1,2			
	d/d		2,5		2,5			1,2			
12 N/mm ²	w/w	w/d	2,5		3,0			1,5			
	d/d		3,0		3,5			1,5			

¹⁾ No performance assesses

Factor for job site tests and displacements see annex C110

Factor for temperature range 72/120°C: 0,83

fischer injection system FIS V for masonry

Performance

Vertical perforated brick HLz, Characteristic resistance under tensile load

Annex C 63

Appendix 84/ 131

Vertical perforated brick HLz, EN 771-1

Table C64.1: Characteristic resistance under shear load

Anchor rod	M6	M8	M6	M8	-	M8	M10	-	M12	M16	
Internal threaded anchor FIS E	-		-		M6	M8	-		M10	M12	-
					11x85				15x85		
Perforated sleeve FIS H K	12x50		12x85		16x85			20x85			
Shear load V_{RK} [kN] depending on the compressive strength f_b (temperature range 50/80°C and 72/120°C)											
compressive strength f_b	use category										
2 N/mm ²	w/w	w/d	0,6	0,75	0,6	0,75	0,9				
	d/d										
4 N/mm ²	w/w	w/d	1,2	1,5	1,2	1,5	2,0				
	d/d										
6 N/mm ²	w/w	w/d	2,0	2,0	2,0	2,0	2,5				
	d/d										
8 N/mm ²	w/w	w/d	2,5	3,0	2,5	3,0	3,5				
	d/d										
10 N/mm ²	w/w	w/d	3,0	3,5	3,0	3,5	4,5				
	d/d										
12 N/mm ²	w/w	w/d	4,0	4,5	4,0	4,5	5,5				
	d/d										

Factor for job site tests and displacements see annex C110

fischer injection system FIS V for masonry

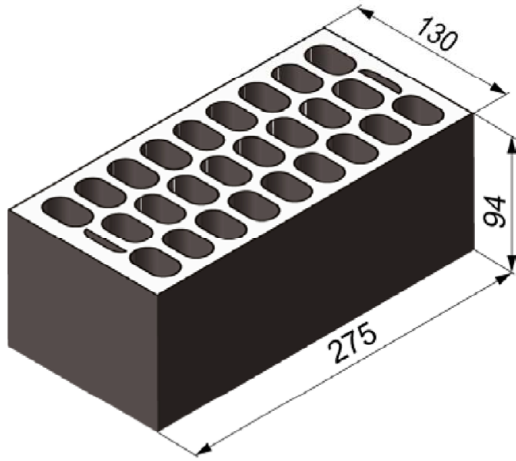
Performance

Vertical perforated brick HLz, Characteristic resistance under shear load

Annex C 64

Appendix 85/ 131

Vertical perforated brick HLz, EN 771-1



Vertical perforated brick HLz, EN 771-1			
Producer	e.g. Ceramica Farreny S.A.		
Nominal dimensions [mm]	length L	width W	height H
	275	130	94
Density ρ [kg/dm ³]	≥ 0,8		
Compressive strength f_b [N/mm ²]	6 / 8 / 12 / 16 / 20		
Standard or annex	EN 771-1		

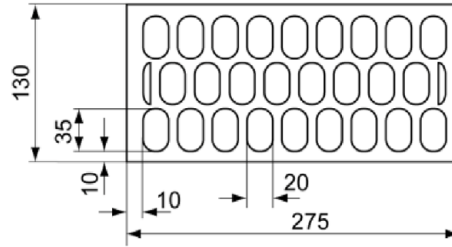


Table C65.1: Installation parameters

Anchor rod	M6	M8	M6	M8	-	M8	M10	-	M12	M16	
Internal threaded anchor FIS E	-		-		M6	M8	-		M10	M12	-
					11x85				15x85		-
Perforated sleeve FIS H K	12x50		12x85		16x85			20x85			
Anchor rod and internal threaded anchor FIS E with perforated sleeve FIS H K											
Max. installation torque T_{inst} [Nm]	2										
General installation parameters											
Edge distance C_{min}	100						120				
Spacing	$S_{cr \parallel} = S_{min \parallel}$ [mm]		275								
	$S_{cr \perp} = S_{min \perp}$		95								
Drilling method											
Hammer drilling with hard metal hammer drill											

Table C65.2: Group factors

Anchor rod	M6	M8	M6	M8	-	M8	M10	-	M12	M16	
Internal threaded anchor FIS E	-		-		M6	M8	-		M10	M12	-
					11x85				15x85		-
Perforated sleeve FIS H K	12x50		12x85		16x85			20x85			
Group factors	$\alpha_{g,N \parallel}$		2								
	$\alpha_{g,v \parallel}$										
	$\alpha_{g,N \perp}$										
	$\alpha_{g,v \perp}$										

fischer injection system FIS V for masonry

Performance

Vertical perforated brick HLz, dimensions, installation parameters

Annex C 65

Appendix 86/ 131

Vertical perforated brick HLz, EN 771-1

Table C66.1: Characteristic resistance under tensile load

Anchor rod	M6	M8	M6	M8	-	M8	M10	-	M12	M16	
Internal threaded anchor FIS E	-		-		M6	M8	-		M10	M12	-
					11x85				15x85		
Perforated sleeve FIS H K	12x50		12x85		16x85			20x85			
Tensile load N_{Rk} [kN] depending on the compressive strength f_b (temperature range 50/80°C)											
compressive strength f_b	use category										
6 N/mm ²	w/w	w/d	0,4		0,9						
	d/d		0,4		0,9						
8 N/mm ²	w/w	w/d	0,5		1,2						
	d/d		0,6		1,2						
12 N/mm ²	w/w	w/d	0,75		1,5						
	d/d		0,9		2,0						
16 N/mm ²	w/w	w/d	0,9		2,0						
	d/d		1,2		2,5						
20 N/mm ²	w/w	w/d	1,2		3,0						
	d/d		1,5		3,0						

Factor for temperature range 72/120°C: 0,83

Table C66.2: Characteristic resistance under shear load

Anchor rod	M6	M8	M6	M8	-	M8	M10	-	M12	M16	
Internal threaded anchor FIS E	-		-		M6	M8	-		M10	M12	-
					11x85				15x85		
Perforated sleeve FIS H K	12x50		12x85		16x85			20x85			
Shear load V_{Rk} [kN] depending on the compressive strength f_b (temperature range 50/80°C and 72/120°C)											
compressive strength f_b	use category										
6 N/mm ²	w/w	w/d	1,2		1,2						
	d/d										
8 N/mm ²	w/w	w/d	1,5		1,5						
	d/d										
12 N/mm ²	w/w	w/d	2,0		2,5						
	d/d										
16 N/mm ²	w/w	w/d	3,0		3,0						
	d/d										
20 N/mm ²	w/w	w/d	4,0		4,0						
	d/d										

Factor for job site tests and displacements see annex C110

fischer injection system FIS V for masonry

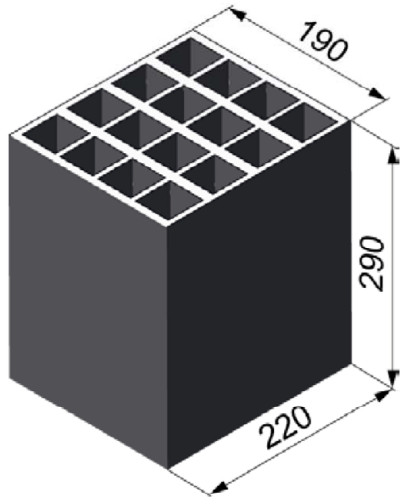
Performance

Vertical perforated brick HLz, Characteristic resistance under tensile and shear load

Annex C 66

Appendix 87/ 131

Vertical perforated brick HLz, EN 771-1



Vertical perforated brick HLz, EN 771-1			
Producer	e.g. Perceram		
Nominal dimensions [mm]	length L	width W	height H
	220	190	290
Density ρ [kg/dm ³]	≥ 0,7		
Compressive strength f_b [N/mm ²]	6 / 8 / 10		
Standard or annex	EN 771-1		

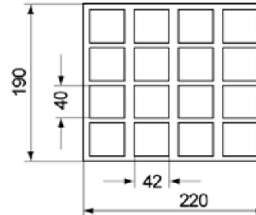


Table C67.1: Installation parameters
(Pre-positioned anchorage with perforated sleeve FIS H K)

Anchor rod	M6	M8	M6	M8	-	M8	M10	M8	M10	-	M12	M16	M12	M16
Internal threaded anchor FIS E	-		-		M6	M8	-		-		M10	M12	-	
					11x85						15x85			
Perforated sleeve FIS H K	12x50		12x85		16x85			16x130		20x85			20x130	
Anchor rod and internal threaded anchor FIS E with perforated sleeve FIS H K														
Max. installation torque T_{inst} [Nm]	2													
General installation parameters														
Edge distance C_{min}	110													
Spacing	$S_{min \parallel} = S_{cr \parallel}$ [mm]													
	220													
	$S_{min \perp} = S_{cr \perp}$													
290														
Drilling method														
Hammer drilling with hard metal hammer drill														

Table C67.2: Group factors

Anchor rod	M6	M8	M6	M8	-	M8	M10	M8	M10	-	M12	M16	M12	M16
Internal threaded anchor FIS E	-		-		M6	M8	-		-		M10	M12	-	
					11x85						15x85			
Perforated sleeve FIS H K	12x50		12x85		16x85			16x130		20x85			20x130	
Group factors	$\alpha_{g,N \parallel}$													
	$\alpha_{g,v \parallel}$													
	$\alpha_{g,N \perp}$													
	$\alpha_{g,v \perp}$													
2														

fischer injection system FIS V for masonry

Performance

Vertical perforated brick HLz, dimensions, installation parameters

Annex C 67

Appendix 88/ 131

Vertical perforated brick HLz, EN 771-1

Table C68.1: Installation parameters
(Push through anchorage with perforated sleeve FIS H K)

Anchor rod		M10	M12	M16
Perforated sleeve FIS H K		18x130/200		22x130/200
Anchor rod with perforated sleeve FIS H K				
Max. installation torque	T_{inst}	[Nm]	2	
General installation parameters				
Edge distance	C_{min}		110	
Spacing	$S_{min \parallel} = S_{cr \parallel}$	[mm]	220	
	$S_{min \perp} = S_{cr \perp}$		290	
Drilling method				
Hammer drilling with hard metal hammer drill				

Table C68.2: Group factors

Anchor rod		M10	M12	M16
Perforated sleeve FIS H K		18x130/200		22x130/200
Group factors	$\alpha_{g,N \parallel}$	[-]	2	
	$\alpha_{g,V \parallel}$			
	$\alpha_{g,N \perp}$			
	$\alpha_{g,V \perp}$			

fischer injection system FIS V for masonry

Performance
Vertical perforated brick HLz, dimensions, installation parameters

Annex C 68

Appendix 89/ 131

Vertical perforated brick HLz, EN 771-1

Table C69.1: Characteristic resistance under tensile load (Pre-positioned anchorage)

Anchor rod	M6	M8	M6	M8	-	M8	M10	M8	M10	-	M12	M16	M12	M16
Internal threaded anchor FIS E	-		-		M6	M8	-		-		M10	M12	-	
					11x85						15x85			
Perforated sleeve FIS H K	12x50		12x85		16x85			16x130		20x85			20x130	
Tensile load N_{Rk} [kN] depending on the compressive strength f_b (temperature range 50/80°C)														
compressive strength f_b	use category													
6 N/mm ²	w/w	w/d	0,3	1,2	1,2			1,5		1,2			1,5	
	d/d		0,4	1,5	1,5			1,5		1,5			1,5	
8 N/mm ²	w/w	w/d	0,5	1,5	1,5			2,0		1,5			2,0	
	d/d		0,5	2,0	2,0			2,5		2,0			2,5	
10 N/mm ²	w/w	w/d	0,6	2,0	2,0			2,5		2,0			2,5	
	d/d		0,6	2,5	2,5			3,0		2,5			3,0	

Table C69.2: Characteristic resistance under tensile load (Push through anchorage)

Anchor rod	M10		M12		M16	
Perforated sleeve FIS H K	18x130/200				22x130/200	
Tensile load N_{Rk} [kN] depending on the compressive strength f_b (temperature range 50/80°C)						
compressive strength f_b	use category					
6 N/mm ²	w/w	w/d	1,5			
	d/d		1,5			
8 N/mm ²	w/w	w/d	2,0			
	d/d		2,5			
10 N/mm ²	w/w	w/d	2,5			
	d/d		3,0			

Factor for job site tests and displacements see annex C110

Factor for temperature range 72/120°C: 0,83

fischer injection system FIS V for masonry

Performance

Vertical perforated brick HLz, Characteristic resistance under tensile load

Annex C 69

Appendix 90/ 131

Vertical perforated brick HLz, EN 771-1

Table C70.1: Characteristic resistance under shear load (Pre-positioned anchorage)

Anchor rod	M6	M8	M6	M8	-	M8	M10	M8	M10	-	M12	M16	M12	M16
Internal threaded anchor FIS E	-		-		M6	M8	-		-		M10	M12	-	
					11x85						15x85			
Perforated sleeve FIS H K	12x50		12x85		16x85			16x130		20x85			20x130	
Shear load V_{RK} [kN] depending on the compressive strength f_b (temperature range 50/80°C and 72/120°C)														
compressive strength f_b	use category													
6 N/mm ²	w/w	w/d	1,5	1,5	1,5			2,5		1,5			2,0	
	d/d													
8 N/mm ²	w/w	w/d	2,0	2,0	2,0			3,5		2,0			3,0	
	d/d													
10 N/mm ²	w/w	w/d	2,5	3,0	3,0			4,5		3,0			3,5	
	d/d													

Table C70.2: Characteristic resistance under shear load (Push through anchorage)

Anchor rod	M10		M12		M16		
Perforated sleeve FIS H K	18x130/200				22x130/200		
Shear load V_{RK} [kN] depending on the compressive strength f_b (temperature range 50/80°C and 72/120°C)							
compressive strength f_b	use category						
6 N/mm ²	w/w	w/d	2,0				
	d/d						
8 N/mm ²	w/w	w/d	3,0				
	d/d						
10 N/mm ²	w/w	w/d	3,5				
	d/d						

Factor for job site tests and displacements see annex C110

fischer injection system FIS V for masonry

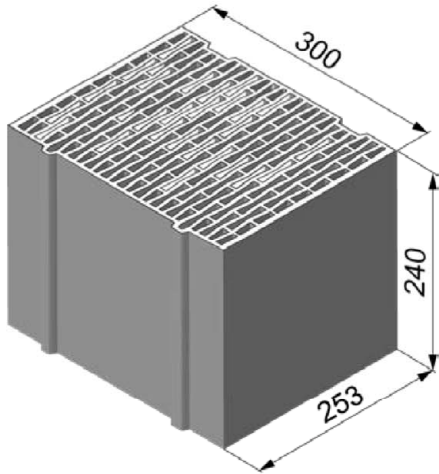
Performance

Vertical perforated brick HLz, Characteristic resistance under shear load

Annex C 70

Appendix 91/ 131

Vertical perforated brick HLz, EN 771-1



Vertical perforated brick HLz, EN 771-1			
Producer	e.g. Ziegelwerk Brenna		
Nominal dimensions [mm]	length L	width W	height H
	253	300	240
Density ρ [kg/dm ³]	≥ 0,8		
Compressive strength f_b [N/mm ²]	2 / 4 / 6		
Standard or annex	EN 771-1		

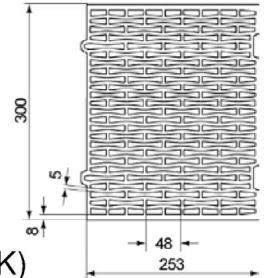


Table C71.1: Installation parameters
(Pre-positioned anchorage with perforated sleeve FIS H K)

Anchor rod	M6	M8	M6	M8	-	M8	M10	M8	M10	-	M12	M16	M12	M16
Internal threaded anchor FIS E	-		-		M6	M8	-		-		M10	M12	-	
					11x85						15x85			
Perforated sleeve FIS H K	12x50		12x85		16x85			16x130		20x85			20x130	
Anchor rod and internal threaded anchor FIS E with perforated sleeve FIS H K														
Max. installation torque	T_{inst}	[Nm]	2											
General installation parameters														
Edge distance	C_{min}	[mm]	60											
Spacing	$S_{min \parallel} = S_{cr \parallel}$	[mm]	255											
	$S_{min \perp} = S_{cr \perp}$	[mm]	240											
Drilling method														
Hammer drilling with hard metal hammer drill														

Table C71.2: Group factors

Anchor rod	M6	M8	M6	M8	-	M8	M10	M8	M10	-	M12	M16	M12	M16
Internal threaded anchor FIS E	-		-		M6	M8	-		-		M10	M12	-	
					11x85						15x85			
Perforated sleeve FIS H K	12x50		12x85		16x85			16x130		20x85			20x130	
Group factors	$\alpha_{g,N \parallel}$	[-]	2											
	$\alpha_{g,v \parallel}$													
	$\alpha_{g,N \perp}$													
	$\alpha_{g,v \perp}$													

fischer injection system FIS V for masonry

Performance

Vertical perforated brick HLz, dimensions, installation parameters

Annex C 71

Appendix 92/ 131

Vertical perforated brick HLz, EN 771-1

Table C72.1: Installation parameters
(Push through anchorage with perforated sleeve FIS H K)

Anchor rod	M10	M12	M16
Perforated sleeve FIS H K	18x130/200		22x130/200
Anchor rod with perforated sleeve FIS H K			
Max. installation torque	T_{inst} [Nm]	2	
General installation parameters			
Edge distance	C_{min}	60	
Spacing	$S_{min \parallel} = S_{cr \parallel}$ [mm]	255	
	$S_{min \perp} = S_{cr \perp}$	240	
Drilling method			
Hammer drilling with hard metal hammer drill			

Table C72.2: Group factors

Anchor rod	M10	M12	M16
Perforated sleeve FIS H K	18x130/200		22x130/200
Group factors	$\alpha_{g,N \parallel}$ $\alpha_{g,V \parallel}$ $\alpha_{g,N \perp}$ $\alpha_{g,V \perp}$	[-]	2

fischer injection system FIS V for masonry

Performance
Vertical perforated brick HLz, dimensions, installation parameters

Annex C 72

Appendix 93/ 131

Vertical perforated brick HLz, EN 771-1

Table C73.1: Characteristic resistance under tensile load (Pre-positioned anchorage)

Anchor rod	M6	M8	M6	M8	-	M8	M10	M8	M10	-	M12	M16	M12	M16
Internal threaded anchor FIS E	-		-		M6	M8	-		-		M10	M12	-	
					11x85						15x85			
Perforated sleeve FIS H K	12x50		12x85		16x85			16x130		20x85			20x130	
Tensile load N_{Rk} [kN] depending on the compressive strength f_b (temperature range 50/80°C)														
compressive strength f_b	use category													
2 N/mm ²	w/w	w/d	- ¹⁾	0,5	0,5			0,4		0,5			0,4	
	d/d		0,3	0,5	0,5			0,5		0,5			0,5	
4 N/mm ²	w/w	w/d	0,5	0,9	0,9			0,9		0,9			0,9	
	d/d		0,6	0,9	0,9			0,9		0,9			0,9	
6 N/mm ²	w/w	w/d	0,75	1,5	1,5			1,2		1,5			1,2	
	d/d		0,9	1,5	1,5			1,5		1,5			1,5	

¹⁾ No performance assessed

Table C73.2: Characteristic resistance under tensile load (Push through anchorage)

Anchor rod	M10		M12		M16	
Perforated sleeve FIS H K	18x130/200				22x130/200	
Tensile load N_{Rk} [kN] depending on the compressive strength f_b (temperature range 50/80°C)						
compressive strength f_b	use category					
2 N/mm ²	w/w	w/d	0,4			
	d/d		0,5			
4 N/mm ²	w/w	w/d	0,9			
	d/d		0,9			
6 N/mm ²	w/w	w/d	1,2			
	d/d		1,5			

Factor for job site tests and displacements see annex C110

Factor for temperature range 72/120°C: 0,83

fischer injection system FIS V for masonry

Performance

Vertical perforated brick HLz, Characteristic resistance under tensile load

Annex C 73

Appendix 94/ 131

Vertical perforated brick HLz, EN 771-1

Table C74.1: Characteristic resistance under shear load (Pre-positioned anchorage)

Anchor rod	M6	M8	M6	M8	-	M8	M10	M8	M10	-	M12	M16	M12	M16
Internal threaded anchor FIS E	-		-		M6	M8	-		-		M10	M12	-	
					11x85						15x85			
Perforated sleeve FIS H K	12x50		12x85		16x85			16x130		20x85			20x130	
Shear load V_{RK} [kN] depending on the compressive strength f_b (temperature range 50/80°C and 72/120°C)														
compressive strength f_b	use category													
2 N/mm ²	w/w	w/d	0,5										0,6	
	d/d													
4 N/mm ²	w/w	w/d	0,9										1,2	
	d/d													
6 N/mm ²	w/w	w/d	1,5										1,5	
	d/d													

Table C74.2: Characteristic resistance under shear load (Push through anchorage)

Anchor rod	M10		M12		M16			
Perforated sleeve FIS H K	18x130/200				22x130/200			
Shear load V_{RK} [kN] depending on the compressive strength f_b (temperature range 50/80°C and 72/120°C)								
compressive strength f_b	use category							
2 N/mm ²	w/w	w/d	0,5				0,6	
	d/d							
4 N/mm ²	w/w	w/d	0,9				1,2	
	d/d							
6 N/mm ²	w/w	w/d	1,5				1,5	
	d/d							

Factor for job site tests and displacements see annex C110

fischer injection system FIS V for masonry

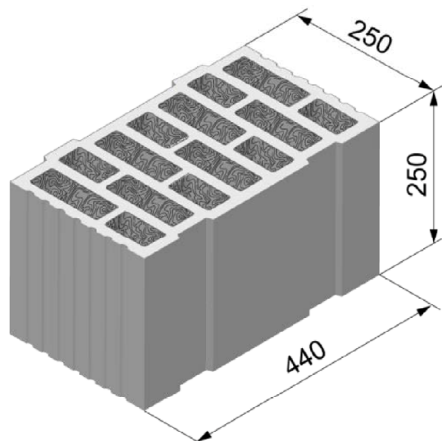
Performance

Vertical perforated brick HLz, Characteristic resistance under shear load

Annex C 74

Appendix 95/ 131

Vertical perforated brick HLz, Porotherm W 44, filled with mineral wool, EN 771-1



Vertical perforated brick HLz, Porotherm W 44, filled with mineral wool, EN 771-1			
Producer	-		
Nominal dimensions [mm]	length L	width W	height H
	250	440	250
Density ρ [kg/dm ³]	0,7		
Compressive strength f_b [N/mm ²]	6 / 8 / 10		
Standard or annex	EN 771-1		

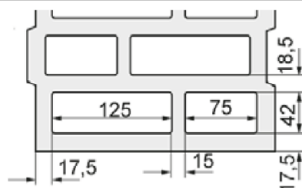


Table C75.1: Installation parameters
(Pre-positioned anchorage with perforated sleeve FIS H K)

Anchor rod	M6	M8	M6	M8	-	M8	M10	M8	M10	-	M12	M16	M12	M16	M12	M16
Internal threaded anchor FIS E	-	-	M6	M8						M10	M12					
			11x85							15x85						
Perforated sleeve FIS H K	12x50	12x85	16x85		16x130		20x85		20x130	20x200						
Anchor rod and internal threaded anchor FIS E with perforated sleeve FIS H K																
Max. installation torque	T_{inst}	[Nm]	2		5		2		5		6					
General installation parameters																
Edge distance	c_{min}		60													
Spacing	$s_{min} \parallel$		80													
	$s_{cr} \parallel$	[mm]	250													
	$s_{min} \perp$		80													
	$s_{cr} \perp$		250													
Drilling method																
Rotary drilling with carbide drill																

Table C75.2: Group factors

Anchor rod	M6	M8	M6	M8	-	M8	M10	M8	M10	-	M12	M16	M12	M16	M12	M16
Internal threaded anchor FIS E	-	-	M6	M8						M10	M12					
			11x85							15x85						
Perforated sleeve FIS H K	12x50	12x85	16x85		16x130		20x85		20x130	20x200						
Group factors	$\alpha_{g,N} \parallel$		1,3													
	$\alpha_{g,V} \parallel$		1,3													
	$\alpha_{g,N} \perp$		0,8													
	$\alpha_{g,V} \perp$		1,3													

fischer injection system FIS V for masonry

Performance

Vertical perforated brick HLz, Porotherm W 44, filled with mineral wool;
dimensions, installation parameters

Annex C 75

Appendix 96/ 131

Vertical perforated brick HLz, Porotherm W 44, filled with mineral wool, EN 771-1

Table C76.1: Installation parameters
(Push through anchorage with perforated sleeve FIS H K)

Anchor rod		M10	M12	M16
Perforated sleeve FIS H K		18x130/200		22x130/200
Anchor rod with perforated sleeve FIS H K				
Max. installation torque	T_{inst} [Nm]	5	6	
General installation parameters				
Edge distance	c_{min}			60
Spacing	$s_{min \parallel}$			80
	$s_{cr \parallel}$			250
	$s_{min \perp}$			80
	$s_{cr \perp}$			250
Drilling method				
Rotary drilling with carbide drill				

Table C76.2: Group factors

Anchor rod		M10	M12	M16
Perforated sleeve FIS H K		18x130/200		22x130/200
Group factors	$\alpha_{g,N \parallel}$			1,3
	$\alpha_{g,V \parallel}$			1,3
	$\alpha_{g,N \perp}$			0,8
	$\alpha_{g,V \perp}$			1,3

fischer injection system FIS V for masonry

Performance

Vertical perforated brick HLz, Porotherm W 44, filled with mineral wool;
dimensions, installation parameters

Annex C 76

Appendix 97/ 131

Vertical perforated brick HLz, Porotherm W 44, filled with mineral wool, EN 771-1

Table C77.1: Characteristic resistance under tensile load (Pre-positioned anchorage)

Anchor rod	M6	M8	M6	M8	-	M8	M10	M8	M10	-	M12	M16	M12	M16	M12	M16
Internal threaded anchor FIS E	-		-		M6	M8	-		-		M10	M12	-		-	
					11x85						15x85					
Perforated sleeve FIS H K	12x50		12x85		16x85			16x130		20x85			20x130		20x200	

Tensile load N_{Rk} [kN] depending on the compressive strength f_b (temperature range 50/80°C)

compressive strength f_b	use category															
	6 N/mm²	w/w	w/d	0,75	1,5	1,2					1,5					2,5
d/d		0,9	1,5	1,2					1,5					2,5		
8 N/mm²	w/w	w/d	0,9	1,5	1,2					1,5					2,5	
	d/d		0,9	2,0	1,5					2,0					3,0	
10 N/mm²	w/w	w/d	0,9	2,0	1,5					2,0					3,0	
	d/d		1,2	2,0	1,5					2,0					3,5	

Table C77.2: Characteristic resistance under tensile load (Push through anchorage)

Anchor rod	M10			M12			M16		
Perforated sleeve FIS H K	18x130/200						22x130/200		

Tensile load N_{Rk} [kN] depending on the compressive strength f_b (temperature range 50/80°C)

compressive strength f_b	use category										
	6 N/mm²	w/w	w/d	1,5							
d/d		1,5									
8 N/mm²	w/w	w/d	1,5								
	d/d		2,0								
10 N/mm²	w/w	w/d	2,0								
	d/d		2,0								

Factor for job site tests and displacements see annex C110

Factor for temperature range 72/120°C: 0,83

fischer injection system FIS V for masonry

Performance

Vertical perforated brick HLz, Porotherm W 44, filled with mineral wool, Characteristic resistance under tensile load

Annex C 77

Appendix 98/ 131

Vertical perforated brick HLz, Porotherm W 44, filled with mineral wool, EN 771-1

Table C78.1: Characteristic resistance under shear load (Pre-positioned anchorage)

Anchor rod	M6	M8	M6	M8	-	M8	M10	M8	M10	-	M12	M16	M12	M16	M12	M16
Internal threaded anchor FIS E	-		-		M6	M8	-		-		M10	M12	-		-	
					11x85						15x85					
Perforated sleeve FIS H K	12x50		12x85		16x85			16x130		20x85			20x130		20x200	

Shear load V_{RK} [kN] depending on the compressive strength f_b (temperature range 50/80°C and 72/120°C)

compressive strength f_b	use category							
	6 N/mm²	w/w	w/d	0,9		1,2	0,9	1,2
d/d								
8 N/mm²	w/w	w/d	0,9		1,5	0,9	1,5	1,2
	d/d							
10 N/mm²	w/w	w/d	1,2		1,5	1,2	1,5	1,5
	d/d							

Table C78.2: Characteristic resistance under shear load (Push through anchorage)

Anchor rod	M10	M12	M16
Perforated sleeve FIS H K	18x130/200		22x130/200

Shear load V_{RK} [kN] depending on the compressive strength f_b (temperature range 50/80°C and 72/120°C)

compressive strength f_b	use category			
	6 N/mm²	w/w	w/d	1,2
d/d				
8 N/mm²	w/w	w/d	1,5	1,5
	d/d			
10 N/mm²	w/w	w/d	1,5	1,5
	d/d			

Factor for job site tests and displacements see annex C110

fischer injection system FIS V for masonry

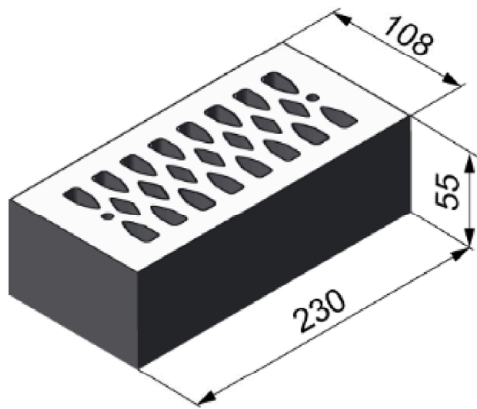
Performance

Vertical perforated brick HLz, Porotherm W 44, filled with mineral wool;
Characteristic resistance under shear load

Annex C 78

Appendix 99/ 131

Vertical perforated brick HLz, EN 771-1



Vertical perforated brick HLz, EN 771-1			
Producer	e.g. Wienerberger.		
Nominal dimensions [mm]	length L	width W	height H
	230	108	55
Density ρ [kg/dm ³]	$\geq 1,4$		
Compressive strength f_b [N/mm ²]	2 / 4 / 6 / 8		
Standard or annex	EN 771-1		

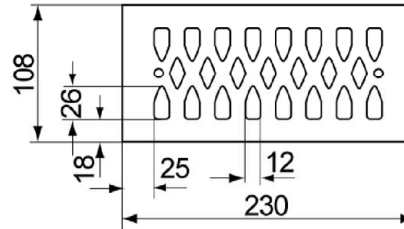


Table C79.1: Installation parameters

Anchor rod	M6	M8	M6	M8	-	M8	M10	-	M12	M16	
Internal threaded anchor FIS E	-		-		M6	M8	-		M10	M12	-
					11x85				15x85		
Perforated sleeve FIS H K	12x50		12x85		16x85			20x85			
Anchor rod and internal threaded anchor FIS E with perforated sleeve FIS H K											
Max. installation torque	T_{inst} [Nm]	2									
General installation parameters											
Edge distance	c_{min}	60									
Spacing	$s_{min \parallel}$	80									
	$s_{cr \parallel}$	230									
	$s_{min \perp}$	60									
	$s_{cr \perp}$	60									
Drilling method											
Hammer drilling with hard metal hammer drill											

Table C79.2: Group factors

Anchor rod	M6	M8	M6	M8	-	M8	M10	-	M12	M16	
Internal threaded anchor FIS E	-		-		M6	M8	-		M10	M12	-
					11x85				15x85		
Perforated sleeve FIS H K	12x50		12x85		16x85			20x85			
Group factors	$\alpha_{g,N \parallel}$	[-]	2								
	$\alpha_{g,V \parallel}$										
	$\alpha_{g,N \perp}$										
	$\alpha_{g,V \perp}$										

fischer injection system FIS V for masonry

Performance

Vertical perforated brick HLz, dimensions, installation parameters

Annex C 79

Vertical perforated brick HLz, EN 771-1

Table C80.1: Characteristic resistance under tensile load ¹⁾

Anchor rod		M6	M8	M6	M8	-	M8	M10	-	M12	M16
Internal threaded anchor FIS E		-		-		M6	M8	-	M10	M12	-
						11x85			15x85		
Perforated sleeve FIS H K		12x50		12x85		16x85			20x85		
Tensile load N_{Rk} [kN] depending on the compressive strength f_b (temperature range 50/80°C)											
compressive strength f_b	use category										
2 N/mm ²	w/w	w/d	0,3	0,9	0,75			0,5			
	d/d		0,3	0,9	0,9			0,6			
4 N/mm ²	w/w	w/d	0,6	1,5	1,5			0,9			
	d/d		0,75	2,0	1,5			1,2			
6 N/mm ²	w/w	w/d	0,9	2,5	2,5			1,5			
	d/d		0,9	3,0	2,5			1,5			
8 N/mm ²	w/w	w/d	1,2	3,5	3,0			2,0			
	d/d		1,5	4,0	3,5			2,5			

¹⁾ If the fixing is in a solid area, for w/w, the characteristic value shall be reduced with the factor 0,64.

Factor for temperature range 72/120°C: 0,83

Table C80.2: Characteristic resistance under shear load

Anchor rod		M6	M8	M6	M8	-	M8	M10	-	M12	M16
Internal threaded anchor FIS E		-		-		M6	M8	-	M10	M12	-
						11x85			15x85		
Perforated sleeve FIS H K		12x50		12x85		16x85			20x85		
Shear load V_{Rk} [kN] depending on the compressive strength f_b (temperature range 50/80°C and 72/120°C)											
compressive strength f_b	use category										
2 N/mm ²	w/w	w/d	0,6						0,4		
	d/d										
4 N/mm ²	w/w	w/d	1,2						0,9		
	d/d										
6 N/mm ²	w/w	w/d	1,5						1,2		
	d/d										
8 N/mm ²	w/w	w/d	2,5						1,5		
	d/d										

Factor for job site tests and displacements see annex C110

fischer injection system FIS V for masonry

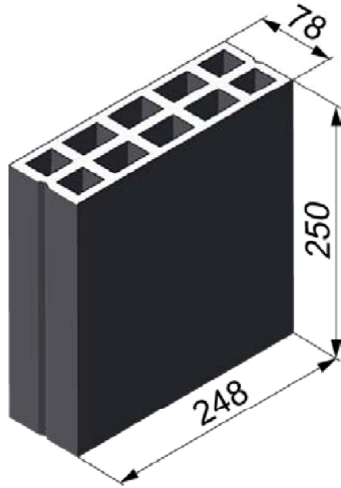
Performance

Vertical perforated brick HLz, Characteristic resistance under tensile and shear load

Annex C 80

Appendix 101/ 131

Horizontal perforated brick LLz, EN 771-1



Horizontal perforated brick LLz, EN 771-1			
Producer	-		
Nominal dimensions [mm]	length L	width W	height H
	250	78	248
Density ρ [kg/dm ³]	≥ 0,7		
Compressive strength f_b [N/mm ²]	2 / 4 / 6		
Standard or annex	EN 771-1		

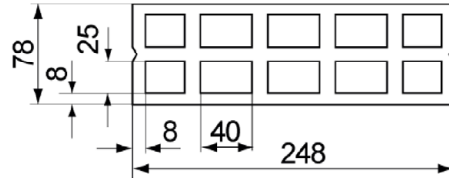


Table C81.1: Installation parameters

Anchor rod		M6		M8	
Perforated sleeve FIS H K		12x50			
Anchor rod with perforated sleeve FIS H K					
Max. installation torque	T_{inst}	[Nm]	2		
General installation parameters					
Edge distance	c_{min}	[mm]	100		
Spacing	$s_{min \parallel}$		75		
	$s_{cr \parallel}$		250		
	$s_{min \perp} = s_{cr \perp}$		250		
Drilling method					
Hammer drilling with hard metal hammer drill					

Table C81.2: Group factors

Anchor rod		M6		M8	
Perforated sleeve FIS H K		12x50			
Group factors	$\alpha_{g,N \parallel}$	[-]	1,6		
	$\alpha_{g,V \parallel}$		1,1		
	$\alpha_{g,N \perp}$		2,0		
	$\alpha_{g,V \perp}$				

fischer injection system FIS V for masonry

Performance

Horizontal perforated brick LLz, dimensions, installation parameters

Annex C 81

Appendix 102/ 131

Horizontal perforated brick LLz, EN 771-1

Table C82.1: Characteristic resistance under tensile load

Anchor rod		M6	M8
Perforated sleeve FIS H K		12x50	
Tensile load N_{Rk} [kN] depending on the compressive strength f_b (temperature range 50/80°C)			
compressive strength f_b	use category		
2 N/mm ²	w/w	w/d	0,5
	d/d		0,6
4 N/mm ²	w/w	w/d	0,9
	d/d		1,2
6 N/mm ²	w/w	w/d	1,5
	d/d		1,5

Factor for temperature range 72/120°C: 0,83

Table C82.2: Characteristic resistance under shear load

Anchor rod		M6	M8
Perforated sleeve FIS H K		12x50	
Shear load V_{Rk} [kN] depending on the compressive strength f_b (temperature range 50/80°C and 72/120°C)			
compressive strength f_b	use category		
2 N/mm ²	w/w	w/d	0,5
	d/d		
4 N/mm ²	w/w	w/d	0,9
	d/d		
6 N/mm ²	w/w	w/d	1,5
	d/d		

Factor for job site tests and displacements see annex C110

fischer injection system FIS V for masonry

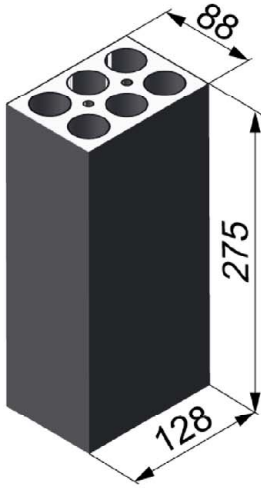
Performance

Horizontal perforated brick LLz, Characteristic resistance under tensile and shear load

Annex C 82

Appendix 103/ 131

Horizontal perforated brick LLz, EN 771-1



Horizontal perforated brick LLz, EN 771-1			
Producer	e.g. Ceramica Farreny S.A.		
Nominal dimensions [mm]	length L	width W	height H
	275	88	128
Density ρ [kg/dm ³]	≥ 0,8		
Compressive strength f_b [N/mm ²]	2		
Standard or annex	EN 771-1		

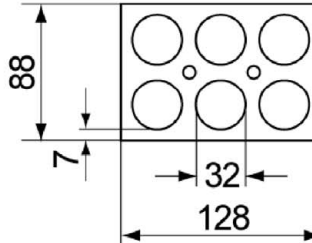


Table C83.1: Installation parameters

Anchor rod		M6		M8	
Perforated sleeve FIS H K		12x50			
Anchor rod with perforated sleeve FIS H K					
Max. installation torque	T_{inst} [Nm]	2			
General installation parameters					
Edge distance	c_{min}	60			
Spacing	$s_{min \parallel}$	75			
	$s_{cr \parallel}$ [mm]	275			
	$s_{min \perp}$	75			
	$s_{cr \perp}$	130			
Drilling method					
Hammer drilling with hard metal hammer drill					

Table C83.2: Group factors

Anchor rod		M6		M8	
Perforated sleeve FIS H K		12x50			
Group factors	$\alpha_{g,N \parallel}$	[-]	1,3		
	$\alpha_{g,v \parallel}$		1,5		
	$\alpha_{g,N \perp}$		1,3		
	$\alpha_{g,v \perp}$		1,5		

fischer injection system FIS V for masonry

Performance
Horizontal perforated brick LLz, dimensions, installation parameters

Annex C 83

Appendix 104/ 131

Horizontal perforated brick LLz, EN 771-1**Table C84.1:** Characteristic resistance under tensile load

Anchor rod		M6	M8
Perforated sleeve FIS H K		12x50	
Tensile load N_{RK} [kN] depending on the compressive strength f_b (temperature range 50/80°C)			
compressive strength f_b	use category		
2 N/mm²	w/w	w/d	1,5
	d/d		

Factor for temperature range 72/120°C: 0,83

Table C84.2: Characteristic resistance under shear load

Anchor rod		M6	M8
Perforated sleeve FIS H K		12x50	
Shear load V_{RK} [kN] depending on the compressive strength f_b (temperature range 50/80°C and 72/120°C)			
compressive strength f_b	use category		
2 N/mm²	w/w	w/d	1,2
	d/d		

Factor for job site tests and displacements see annex C110

fischer injection system FIS V for masonry

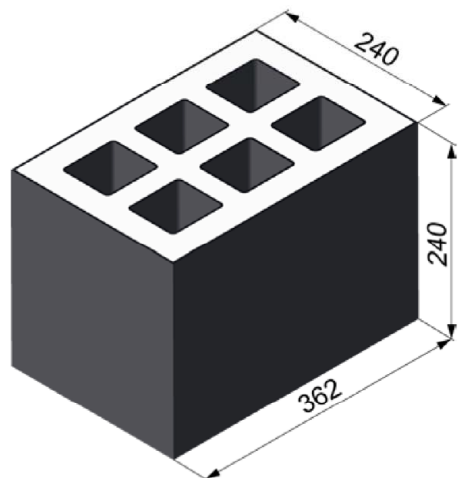
Performance

Horizontal perforated brick LLz, Characteristic resistance under tensile and shear load

Annex C 84

Appendix 105/ 131

Light-weight concrete hollow block Hbl, EN 771-3



Light-weight concrete hollow block Hbl, EN 771-3			
Producer	-		
Nominal dimensions [mm]	Länge L	Breite B	Höhe H
	362	240	240
Density ρ [kg/dm ³]	$\geq 1,0$		
Compressive strength f_b [N/mm ²]	2 / 4		
Standard or annex	EN 771-3		

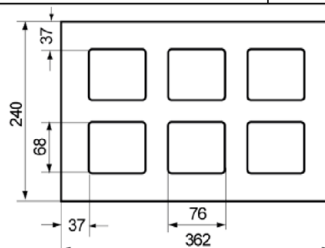


Table C85.1: Installation parameters
(Pre-positioned anchorage with perforated sleeve FIS H K)

Anchor rod	M6	M8	M6	M8	-	M8	M10	M8	M10	-	M12	M16	M12	M16	M12	M16
Internal threaded anchor FIS E	-	-	M6	M8		-	-	M10	M12		-	-	-	-	-	-
			11x85					15x85								
Perforated sleeve FIS H K	12x50		12x85		16x85			16x130		20x85		20x130		20x200		
Anchor rod and internal threaded anchor FIS E with perforated sleeve FIS H K																
Max. installation torque	T_{inst}	[Nm]	2													
General installation parameters																
Edge distance	C_{min}	[mm]	60													
Spacing	$S_{min \parallel}$		100													
	$S_{cr \parallel}$		362													
	$S_{min \perp} = S_{cr \perp}$		240													
Drilling method																
Hammer drilling with hard metal hammer drill																

Table C85.2: Group factors

Anchor rod	M6	M8	M6	M8	-	M8	M10	M8	M10	-	M12	M16	M12	M16	M12	M16
Internal threaded anchor FIS E	-	-	M6	M8		-	-	M10	M12		-	-	-	-	-	-
			11x85					15x85								
Perforated sleeve FIS H K	12x50		12x85		16x85			16x130		20x85		20x130		20x200		
Group factors	$\alpha_{g,N \parallel}$	[-]	1,2													
	$\alpha_{g,V \parallel}$		1,1													
	$\alpha_{g,N \perp}$		2,0													
	$\alpha_{g,V \perp}$		2,0													

fischer injection system FIS V for masonry

Performance

Light-weight concrete hollow block Hbl, dimensions, installation parameters

Annex C 85

Light-weight concrete hollow block Hbl, EN 771-3

Table C86.1: Installation parameters
(Push through anchorage with perforated sleeve FIS H K)

Anchor rod		M10	M12	M16
Perforated sleeve FIS H K		18x130/200		22x130/200
Anchor rod with perforated sleeve FIS H K				
Max. installation torque	T_{inst}	[Nm]	2	
General installation parameters				
Edge distance	c_{min}	[mm]	60	
Spacing	$s_{min \parallel}$		100	
	$s_{cr \parallel}$		362	
	$s_{min \perp} = s_{cr \perp}$		240	
Drilling method				
Hammer drilling with hard metal hammer drill				

Table C86.2: Group factors

Anchor rod		M10	M12	M16
Perforated sleeve FIS H K		18x130/200		22x130/200
Group factors	$\alpha_{g,N \parallel}$	[-]	1,2	
	$\alpha_{g,V \parallel}$		1,1	
	$\alpha_{g,N \perp}$		2,0	
	$\alpha_{g,V \perp}$			

fischer injection system FIS V for masonry

Performance

Light-weight concrete hollow block Hbl, dimensions, installation parameters

Annex C 86

Appendix 107/ 131

Light-weight concrete hollow block Hbl, EN 771-3

Table C87.1: Characteristic resistance under tensile load (Pre-positioned anchorage)

Anchor rod	M6	M8	M6	M8	-	M8	M10	M8	M10	-	M12	M16	M12	M16	M12	M16
Internal threaded anchor FIS E	-		-		M6	M8	-		-		M10	M12	-		-	
					11x85						15x85					
Perforated sleeve FIS H K	12x50		12x85		16x85			16x130		20x85			20x130		20x200	
Tensile load N_{Rk} [kN] depending on the compressive strength f_b (temperature range 50/80°C)																
compressive strength f_b	use category															
2 N/mm ²	w/w	w/d	1,2		1,5						2,5					
	d/d		1,2		1,5						2,5					
4 N/mm ²	w/w	w/d	2,0		3,0						5,0					
	d/d		2,5		3,0						5,5					

Table C87.2: Characteristic resistance under tensile load (Push through anchorage)

Anchor rod	M10		M12		M16	
Perforated sleeve FIS H K	18x130/200				22x130/200	
Tensile load N_{Rk} [kN] depending on the compressive strength f_b (temperature range 50/80°C)						
compressive strength f_b	use category					
2 N/mm ²	w/w	w/d	1,5			
	d/d		1,5			
4 N/mm ²	w/w	w/d	3,0			
	d/d		3,0			

Factor for job site tests and displacements see annex C110

Factor for temperature range 72/120°C: 0,83

fischer injection system FIS V for masonry

Performance

Light-weight concrete hollow block Hbl, Characteristic resistance under tensile load

Annex C 87

Appendix 108/ 131

Light-weight concrete hollow block Hbl, EN 771-3

Table C88.1: Characteristic resistance under shear load (Pre-positioned anchorage)

Anchor rod	M6	M8	M6	M8	-	M8	M10	M8	M10	-	M12	M16	M12	M16	M12	M16
Internal threaded anchor FIS E	-		-		M6	M8	-		-		M10	M12	-		-	
					11x85						15x85					
Perforated sleeve FIS H K	12x50		12x85		16x85			16x130		20x85			20x130		20x200	

Shear load V_{RK} [kN] depending on the compressive strength f_b (temperature range 50/80°C and 72/120°C)

compressive strength f_b	use category		
2 N/mm ²	w/w	w/d	0,9
	d/d		
4 N/mm ²	w/w	w/d	2,0
	d/d		

Table C88.2: Characteristic resistance under shear load (Push through anchorage)

Anchor rod	M10		M12		M16	
Perforated sleeve FIS H K	18x130/200				22x130/200	

Shear load V_{RK} [kN] depending on the compressive strength f_b (temperature range 50/80°C and 72/120°C)

compressive strength f_b	use category		
2 N/mm ²	w/w	w/d	0,9
	d/d		
4 N/mm ²	w/w	w/d	2,0
	d/d		

Factor for job site tests and displacements see annex C110

fischer injection system FIS V for masonry

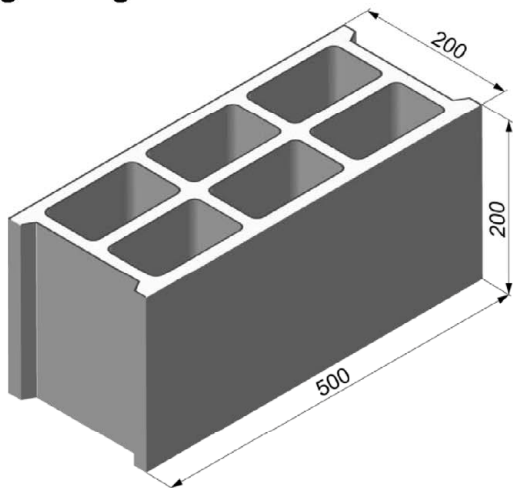
Performance

Light-weight concrete hollow block Hbl, Characteristic resistance under shear load

Annex C 88

Appendix 109/ 131

Light-weight concrete hollow block Hbl, EN 771-3



Light-weight concrete hollow block Hbl, EN 771-3			
Producer	e.g. Sepa		
Nominal dimensions [mm]	length L	width W	height H
	500	200	200
Density ρ [kg/dm ³]	$\geq 1,0$		
Compressive strength f_b [N/mm ²]	2 / 4 / 6		
Standard or annex	EN 771-1		

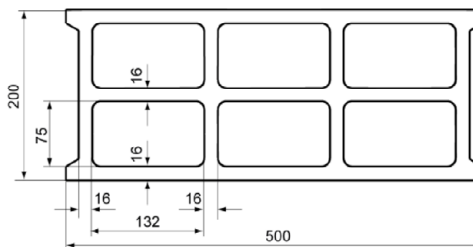


Table C89.1: Installation parameters

Anchor rod	M6	M8	M6	M8	-	M8	M10	M8	M10	M10	M12	-	M12	M16
Internal threaded anchor FIS E	-	-	M6 M8		11x85	-	-	-	-	-	-	M10 M12	15x85	-
Perforated sleeve FIS H K	12x50		12x85		16x85			16x130		18x130/200		20x85		
Anchor rod and internal threaded anchor FIS E with perforated sleeve FIS H K														
Max. installation torque T_{inst} [Nm]	1				2									
General installation parameters														
Edge distance C_{min}					100									
Spacing S_{min}	$S_{min \parallel} = S_{cr \parallel}$ [mm]				500									
	$S_{min \perp} = S_{cr \perp}$				200									
Drilling method														
Hammer drilling with hard metal hammer drill														

Table C89.2: Group factors

Anchor rod	M6	M8	M6	M8	-	M8	M10	M8	M10	M10	M12	-	M12	M16	
Internal threaded anchor FIS E	-	-	M6 M8		11x85	-	-	-	-	-	-	M10 M12	15x85	-	
Perforated sleeve FIS H K	12x50		12x85		16x85			16x130		18x130/200		20x85			
Group factors	$\alpha_{g,N \parallel}$				[-]	2									
	$\alpha_{g,V \parallel}$														
	$\alpha_{g,N \perp}$														
	$\alpha_{g,V \perp}$														

fischer injection system FIS V for masonry

Performance

Light-weight concrete hollow block Hbl, dimensions, installation parameters

Annex C 89

Appendix 110/ 131

Light-weight concrete hollow block Hbl, EN 771-3

Table C90.1: Characteristic resistance under tensile load

Anchor rod	M6	M8	M6	M8	-	M8	M10	M8	M10	M10	M12	-	M12	M16	
Internal threaded anchor FIS E	-		-		M6	M8	-		-		-		M10	M12	-
					11x85								15x85		
Perforated sleeve FIS H K	12x50		12x85		16x85			16x130		18x130/200		20x85			

Tensile load N_{RK} [kN] depending on the compressive strength f_b (temperature range 50/80°C)

compressive strength f_b	use category		
2 N/mm ²	w/w	w/d	0,4
	d/d		0,5
4 N/mm ²	w/w	w/d	0,9
	d/d		0,9
6 N/mm ²	w/w	w/d	1,2
	d/d		1,5

Factor for temperature range 72/120°C: 0,83

Table C90.2: Characteristic resistance under shear load

Anchor rod	M6	M8	M6	M8	-	M8	M10	M8	M10	M10	M12	-	M12	M16	
Internal threaded anchor FIS E	-		-		M6	M8	-		-		-		M10	M12	-
					11x85								15x85		
Perforated sleeve FIS H K	12x50		12x85		16x85			16x130		18x130/200		20x85			

Shear load V_{RK} [kN] depending on the compressive strength f_b (temperature range 50/80°C and 72/120°C)

compressive strength f_b	use category		
2 N/mm ²	w/w	w/d	0,9
	d/d		
4 N/mm ²	w/w	w/d	1,5
	d/d		
6 N/mm ²	w/w	w/d	2,5
	d/d		

Factor for job site tests and displacements see annex C110

fischer injection system FIS V for masonry

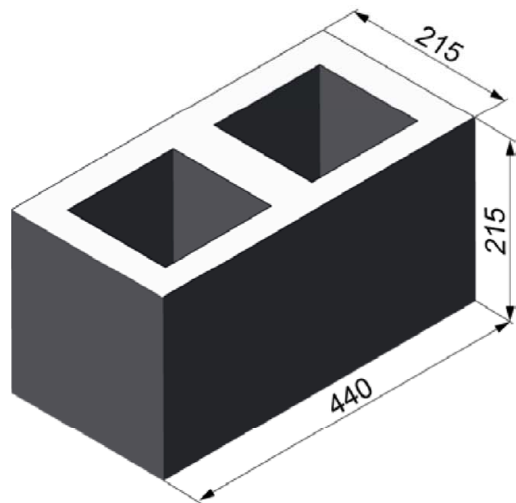
Performance

Light-weight concrete hollow block Hbl,
Characteristic resistance under tensile and shear load

Annex C 90

Appendix 111/ 131

Light-weight concrete hollow block Hbl, EN 771-3



Light-weight concrete hollow block Hbl, EN 771-3			
Producer	e.g. Roadstone wood		
Nominal dimensions [mm]	length L	width W	height H
	440	215	215
Density ρ [kg/dm ³]	≥ 1,2		
Compressive strength f_b [N/mm ²]	4 / 6 / 8 / 10		
Standard or annex	EN 771-3		

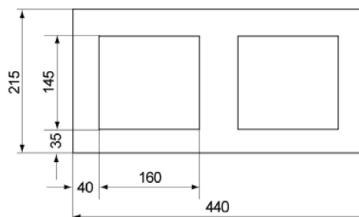


Table C91.1: Installation parameters
(Pre-positioned anchorage with perforated sleeve FIS H K)

Anchor rod	M6	M8	M6	M8	-	M8	M10	M8	M10	-	M12	M16	M12	M16
Internal threaded anchor FIS E	-		-		M6	M8	-		-		M10	M12	-	
					11x85						15x85			
Perforated sleeve FIS H K	12x50		12x85		16x85			16x130		20x85			20x130	

Anchor rod and internal threaded anchor FIS E with perforated sleeve FIS H K

Max. installation torque	T_{inst} [Nm]	2													
--------------------------	-----------------	---	--	--	--	--	--	--	--	--	--	--	--	--	--

General installation parameters

Spacing	Edge distance	C_{min}	110											
	Spacing	$S_{min \parallel}$	100											
		$S_{cr \parallel}$	440											
		$S_{min \perp}$	100											
		$S_{cr \perp}$	215											

Drilling method

Hammer drilling with hard metal hammer drill

Table C91.2: Group factors

Anchor rod	M6	M8	M6	M8	-	M8	M10	M8	M10	-	M12	M16	M12	M16
Internal threaded anchor FIS E	-		-		M6	M8	-		-		M10	M12	-	
					11x85						15x85			
Perforated sleeve FIS H K	12x50		12x85		16x85			16x130		20x85			20x130	

Group factors	$\alpha_{g,N \parallel}$	[-]	1,4											
	$\alpha_{g,V \parallel}$		2,0											
	$\alpha_{g,N \perp}$		1,4											
	$\alpha_{g,V \perp}$		1,2											

fischer injection system FIS V for masonry

Performance

Light-weight concrete hollow block Hbl, dimensions, installation parameters

Annex C 91

Appendix 112/ 131

Light-weight concrete hollow block Hbl, EN 771-3

Table C92.1: Installation parameters
(Push through anchorage with perforated sleeve FIS H K)

Anchor rod		M10	M12	M16
Perforated sleeve FIS H K		18x130/200		22x130/200
Anchor rod with perforated sleeve FIS H K				
Max. installation torque	T_{inst}	[Nm]	2	
General installation parameters				
Edge distance	c_{min}	[mm]	110	
Spacing	$s_{min \parallel}$		100	
	$s_{cr \parallel}$		440	
	$s_{min \perp}$		100	
	$s_{cr \perp}$		215	
Drilling method				
Hammer drilling with hard metal hammer drill				

Table C92.2: Group factors

Anchor rod		M10	M12	M16
Perforated sleeve FIS H K		18x130/200		22x130/200
Group factors	$\alpha_{g,N \parallel}$	[-]	1,4	
	$\alpha_{g,V \parallel}$		2,0	
	$\alpha_{g,N \perp}$		1,4	
	$\alpha_{g,V \perp}$		1,2	

fischer injection system FIS V for masonry

Performance
Light-weight concrete hollow block Hbl, dimensions, installation parameters

Annex C 92

Appendix 113/ 131

Light-weight concrete hollow block Hbl, EN 771-3

Table C93.1: Characteristic resistance under tensile load (Pre-positioned anchorage)

Anchor rod	M6	M8	M6	M8	-	M8	M10	M8	M10	-	M12	M16	M12	M16
Internal threaded anchor FIS E	-		-		M6	M8	-		-		M10	M12	-	
					11x85						15x85			
Perforated sleeve FIS H K	12x50		12x85		16x85			16x130		20x85			20x130	
Tensile load N_{Rk} [kN] depending on the compressive strength f_b (temperature range 50/80°C)														
compressive strength f_b	use category													
	w/w	w/d												
4 N/mm ²	w/w	w/d	0,9			1,2			2,0					
	d/d		1,2			1,5			2,0					
6 N/mm ²	w/w	w/d	1,5			2,0			3,0					
	d/d		1,5			2,0			3,0					
8 N/mm ²	w/w	w/d	2,0			2,5			3,5					
	d/d		2,0			3,0			4,0					
10 N/mm ²	w/w	w/d	2,5			3,0			4,5					
	d/d		3,0			3,5			5,0					

Table C93.2: Characteristic resistance under tensile load (Push through anchorage)

Anchor rod	M10		M12		M16	
Perforated sleeve FIS H K	18x130/200				22x130/200	
Tensile load N_{Rk} [kN] depending on the compressive strength f_b (temperature range 50/80°C)						
compressive strength f_b	use category					
	w/w	w/d				
4 N/mm ²	w/w	w/d	1,2		2,0	
	d/d		1,5		2,0	
6 N/mm ²	w/w	w/d	2,0		3,0	
	d/d		2,0		3,0	
8 N/mm ²	w/w	w/d	2,5		3,5	
	d/d		3,0		4,0	
10 N/mm ²	w/w	w/d	3,0		4,5	
	d/d		3,5		5,0	

Factor for job site tests and displacements see annex C110

Factor for temperature range 72/120°C: 0,83

fischer injection system FIS V for masonry

Performance

Light-weight concrete hollow block Hbl, Characteristic resistance under tensile load

Annex C 93

Appendix 114/ 131

Light-weight concrete hollow block Hbl, EN 771-3

Table C94.1: Characteristic resistance under shear load (Pre-positioned anchorage)

Anchor rod	M6	M8	M6	M8	-	M8	M10	M8	M10	-	M12	M16	M12	M16	
Internal threaded anchor FIS E	-		-		M6	M8	-		-		M10	M12	-		
					11x85						15x85				
Perforated sleeve FIS H K	12x50		12x85		16x85			16x130		20x85			20x130		
Shear load V_{RK} [kN] depending on the compressive strength f_b (temperature range 50/80°C and 72/120°C)															
compressive strength f_b	use category														
4 N/mm ²	w/w	w/d	0,75	1,2	0,75	1,2	0,75								1,2
	d/d														
6 N/mm ²	w/w	w/d	1,2	2,0	1,2	2,0	1,2								2,0
	d/d														
8 N/mm ²	w/w	w/d	1,5	2,5	1,5	2,5	1,5								2,5
	d/d														
10 N/mm ²	w/w	w/d	2,0	3,0	2,0	3,0	2,0								3,0
	d/d														

Table C94.2: Characteristic resistance under shear load (Push through anchorage)

Anchor rod	M10			M12			M16			
Perforated sleeve FIS H K	18x130/200						22x130/200			
Shear load V_{RK} [kN] depending on the compressive strength f_b (temperature range 50/80°C and 72/120°C)										
compressive strength f_b	use category									
4 N/mm ²	w/w	w/d								1,2
	d/d									
6 N/mm ²	w/w	w/d								2,0
	d/d									
8 N/mm ²	w/w	w/d								2,5
	d/d									
10 N/mm ²	w/w	w/d								3,0
	d/d									

Factor for job site tests and displacements see annex C110

fischer injection system FIS V for masonry

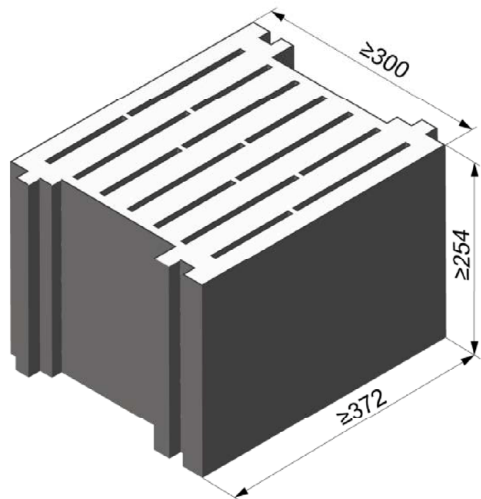
Performance

Light-weight concrete hollow block Hbl, Characteristic resistance under shear load

Annex C 94

Appendix 115/ 131

Light-weight concrete solid block Vbl, EN 771-3



Light-weight concrete solid block Vbl, EN 771-3			
Producer	e.g. Sepa		
Nominal dimensions [mm]	length L	width W	height H
	≥ 372	≥ 300	≥ 254
Density ρ [kg/dm ³]	≥ 0,6		
Compressive strength f_b [N/mm ²]	2		
Standard or annex	EN 771-3		

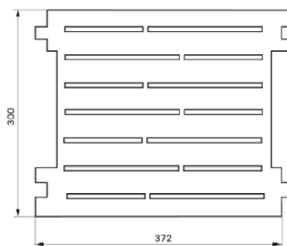


Table C95.1: Installation parameters

Anchor rod	M8	M10	M10	M12	M12	M16	M16	M12	M16	
Perforated sleeve FIS H K	16x130		18x130/200		20x130		22x130/200		20x200	
Anchor rod with perforated sleeve FIS H K										
Max. installation torque	T_{inst}	[Nm]	4							
General installation parameters										
Edge distance	C_{min}	[mm]	130							
Spacing	$S_{min \parallel} = S_{cr \parallel}$	[mm]	370							
	$S_{min \perp} = S_{cr \perp}$	[mm]	250							
Drilling method										
Hammer drilling with hard metal hammer drill										

Table C95.2: Group factors

Anchor rod	M8	M10	M10	M12	M12	M16	M16	M12	M16	
Perforated sleeve FIS H K	16x130		18x130/200		20x130		22x130/200		20x200	
Group factors	$\alpha_{g,N \parallel}$	[-]	2							
	$\alpha_{g,V \parallel}$									
	$\alpha_{g,N \perp}$									
	$\alpha_{g,V \perp}$									

fischer injection system FIS V for masonry

Performance

Light-weight concrete solid block Vbl, dimensions, installation parameters

Annex C 95

Appendix 116/ 131

Light-weight concrete solid block Vbl, EN 771-3

Table C96.1: Characteristic resistance under tensile load

Anchor rod	M8	M10	M10	M12	M12	M16	M16	M12	M16
Perforated sleeve FIS H K	16x130		18x130/200		20x130		22x130/200	20x200	
Tensile load N_{Rk} [kN] depending on the compressive strength f_b (temperature range 50/80°C)									
compressive strength f_b	use category								
2 N/mm ²	w/w	w/d	2,0			2,5			3,0
	d/d		2,0			3,0			4,0

Factor for temperature range 72/120°C: 0,83

Table C96.2: Characteristic resistance under shear load

Anchor rod	M8	M10	M10	M12	M12	M16	M16	M12	M16
Perforated sleeve FIS H K	16x130		18x130/200		20x130		22x130/200	20x200	
Shear load V_{Rk} [kN] depending on the compressive strength f_b (temperature range 50/80°C and 72/120°C)									
compressive strength f_b	use category								
2 N/mm ²	w/w	w/d	4,5			6,5			
	d/d								

Factor for job site tests and displacements see annex C110

fischer injection system FIS V for masonry

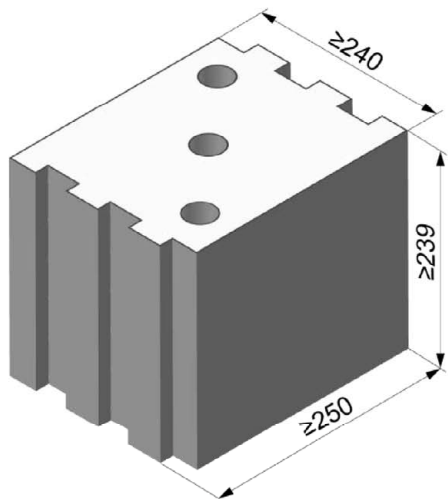
Performance

Light-weight concrete solid block Vbl,
Characteristic resistance under tensile and shear load

Annex C 96

Appendix 117/ 131

Light-weight concrete solid block Vbl, EN 771-3



Light-weight concrete solid block Vbl, EN 771-3			
Producer	KLB		
Nominal dimensions [mm]	length L	width W	height H
	≥ 250	≥ 240	≥ 239
Density ρ [kg/dm ³]	≥ 1,6		
Compressive strength f_b [N/mm ²]	4 / 6 / 8		
Standard or annex	EN 771-3		

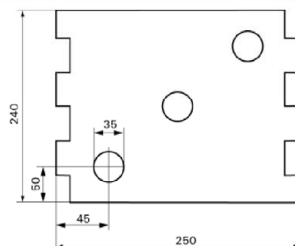


Table C97.1: Installation parameters
(Pre-positioned anchorage with perforated sleeve FIS H K)

Anchor rod	M6	M8	M6	M8	-	M8	M10	M8	M10	-	M12	M16	M12	M16	M12	M16
Internal threaded anchor FIS E	-	-	M6	M8	-	-	-	-	M10	M12	-	-	-	-	-	-
			11x85						15x85							
Perforated sleeve FIS H K	12x50		12x85		16x85			16x130		20x85			20x130		20x200	
Anchor rod and internal threaded anchor FIS E with perforated sleeve FIS H K																
Max. installation torque T_{inst} [Nm]	4															
General installation parameters																
Edge distance C_{min}	130															
Spacing S_{min}	$S_{min} \parallel = S_{cr} \parallel$ [mm]															
	250															
	$S_{min} \perp = S_{cr} \perp$															
250																
Drilling method																
Hammer drilling with hard metal hammer drill																

Table C97.2: Group factors

Anchor rod	M6	M8	M6	M8	-	M8	M10	M8	M10	-	M12	M16	M12	M16	M12	M16
Internal threaded anchor FIS E	-	-	M6	M8	-	-	-	-	M10	M12	-	-	-	-	-	-
			11x85						15x85							
Perforated sleeve FIS H K	12x50		12x85		16x85			16x130		20x85			20x130		20x200	
Group factors	$\alpha_{g,N} \parallel$															
	$\alpha_{g,v} \parallel$															
	$\alpha_{g,N} \perp$															
	$\alpha_{g,v} \perp$															
2,0																

fischer injection system FIS V for masonry

Performance

Light-weight concrete solid block Vbl, dimensions, installation parameters

Annex C 97

Light-weight concrete solid block Vbl, EN 771-3

Table C98.1: Installation parameters
(Push through anchorage with perforated sleeve FIS H K)

Anchor rod	M10	M12	M16
Perforated sleeve FIS H K	18x130/200		22x130/200
Anchor rod with perforated sleeve FIS H K			
Max. installation torque	T_{inst} [Nm]	2	
General installation parameters			
Edge distance	C_{min}	130	
Spacing	$S_{min \parallel} = S_{cr \parallel}$ [mm]	250	
	$S_{min \perp} = S_{cr \perp}$	250	
Drilling method			
Hammer drilling with hard metal hammer drill			

Table C98.2: Group factors

Anchor rod	M10	M12	M16
Perforated sleeve FIS H K	18x130/200		22x130/200
Group factors	$\alpha_{g,N \parallel}$ $\alpha_{g,V \parallel}$ $\alpha_{g,N \perp}$ $\alpha_{g,V \perp}$	[-]	2,0

fischer injection system FIS V for masonry

Performance

Light-weight concrete solid block Vbl, dimensions, installation parameters

Annex C 98

Appendix 119/ 131

Light-weight concrete solid block Vbl, EN 771-3

Table C99.1: Characteristic resistance under tensile load (Pre-positioned anchorage)

Anchor rod	M6	M8	M6	M8	-	M8	M10	M8	M10	-	M12	M16	M12	M16	M12	M16
Internal threaded anchor FIS E	-		-		M6	M8	-		-		M10	M12	-		-	
					11x85						15x85					
Perforated sleeve FIS H K	12x50		12x85		16x85			16x130		20x85			20x130		20x200	
Tensile load N_{Rk} [kN] depending on the compressive strength f_b (temperature range 50/80°C)																
compressive strength f_b	use category															
	w/w	w/d														
4 N/mm ²	w/w	w/d	1,2	2,0			2,5						3,0			
	d/d		2,0	3,5			4,0						5,0			
6 N/mm ²	w/w	w/d	1,5	3,0			4,0						5,0			
	d/d		3,0	5,0			6,5						7,5			
8 N/mm ²	w/w	w/d	2,0	4,0			5,0						6,5			
	d/d		4,0	7,0			8,5						9,0			

Table C99.2: Characteristic resistance under tensile load (Push through anchorage)

Anchor rod	M10		M12		M16	
Perforated sleeve FIS H K	18x130/200				22x130/200	
Tensile load N_{Rk} [kN] depending on the compressive strength f_b (temperature range 50/80°C)						
compressive strength f_b	use category					
	w/w	w/d				
4 N/mm ²	w/w	w/d	2,5		3,0	
	d/d		4,0		5,0	
6 N/mm ²	w/w	w/d	4,0		5,0	
	d/d		6,5		7,5	
8 N/mm ²	w/w	w/d	5,0		6,5	
	d/d		8,5		9,0	

Factor for job site tests and displacements see annex C110

Factor for temperature range 72/120°C: 0,83

fischer injection system FIS V for masonry

Performance

Light-weight concrete solid block Vbl, Characteristic resistance under tensile load

Annex C 99

Appendix 120/ 131

Light-weight concrete solid block Vbl, EN 771-3

Table C100.1: Characteristic resistance under shear load (Pre-positioned anchorage)

Anchor rod	M6	M8	M6	M8	-	M8	M10	M8	M10	-	M12	M16	M12	M16	M12	M16
Internal threaded anchor FIS E	-		-		M6	M8	-		-		M10	M12	-		-	
					11x85						15x85					
Perforated sleeve FIS H K	12x50		12x85		16x85			16x130		20x85			20x130		20x200	

Shear load V_{RK} [kN] depending on the compressive strength f_b (temperature range 50/80°C and 72/120°C)

compressive strength f_b	use category													
	4 N/mm ²	w/w	w/d	2,0	3,0	2,0	3,0	2,0	3,5			4,5		
d/d														
6 N/mm ²	w/w	w/d	3,0	4,5	3,0	4,5	3,0	5,5			6,5			
	d/d													
8 N/mm ²	w/w	w/d	4,0	6,0	4,0	6,0	4,0	7,0			8,5			
	d/d													

Table C100.2: Characteristic resistance under shear load (Push through anchorage)

Anchor rod	M10			M12			M16		
Perforated sleeve FIS H K	18x130/200						22x130/200		

Shear load V_{RK} [kN] depending on the compressive strength f_b (temperature range 50/80°C and 72/120°C)

compressive strength f_b	use category										
	4 N/mm ²	w/w	w/d	3,5						4,5	
d/d											
6 N/mm ²	w/w	w/d	5,5						6,5		
	d/d										
8 N/mm ²	w/w	w/d	7,0						8,5		
	d/d										

Factor for job site tests and displacements see annex C110

fischer injection system FIS V for masonry

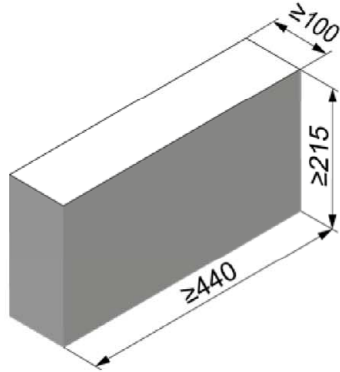
Performance

Light-weight concrete solid block Vbl, Characteristic resistance under shear load

Annex C 100

Appendix 121/ 131

Light-weight concrete solid block Vbl, EN 771-3



Light-weight concrete solid block Vbl, EN 771-3			
Producer		Roadstone wood	
Nominal dimensions [mm]	length L	width W	height H
	≥ 440	≥ 100	≥ 215
Density ρ [kg/dm ³]	≥ 2,0		
Compressive strength f_b [N/mm ²]	4 / 6 / 8 / 10		
Standard or annex	EN 771-3		

Table C101.1: Installation parameters

Anchor rod		M6	M8	M10	M12	M16
Anchor rod without perforated sleeve						
Effective anchorage depth	h_{ef} [mm]	50	70	50	70	50
Max. installation torque	T_{inst} [Nm]	4		10		
General installation parameters						
Edge distance	c_{min}	100				
Spacing	$s_{min \parallel}$	75				
	$s_{cr \parallel}$	3x h_{ef}				
	$s_{min \perp}$	75				
	$s_{cr \perp}$	3x h_{ef}				
Drilling method						
Hammer drilling with hard metal hammer drill						

Table C101.2: Group factors

Anchor rod		M6	M8	M10	M12	M16
Group factors	$\alpha_{g,N \parallel}$	1,6				
	$\alpha_{g,V \parallel}$	1,3				
	$\alpha_{g,N \perp}$	1,4				
	$\alpha_{g,V \perp}$	1,3				

fischer injection system FIS V for masonry

Performance

Light-weight concrete solid block Vbl, dimensions, installation parameters

Annex C 101

Appendix 122/ 131

Light-weight concrete solid block Vbl, EN 771-3

Table C102.1: Characteristic resistance under tensile load

Anchor rod		M6	M8	M10	M12	M16
Tensile load N_{Rk} [kN] depending on the compressive strength f_b (temperature range 50/80°C)						
compressive strength f_b	use category		Effective anchorage depth h_{ef} [mm]			
			≥ 50			
4 N/mm ²	w/w	w/d	1,2			1,2
		d/d	2,0			2,0
6 N/mm ²	w/w	w/d	1,5			2,0
		d/d	3,0			3,5
8 N/mm ²	w/w	w/d	2,0			2,5
		d/d	4,0			4,5
10N/mm ²	w/w	w/d	3,0			3,5
		d/d	5,0			5,5

Factor for temperature range 72/120°C: 0,83

Table C102.2: Characteristic resistance under shear load

Anchor rod		M6	M8	M10	M12	M16	
Shear load V_{Rk} [kN] depending on the compressive strength f_b (temperature range 50/80°C and 72/120°C)							
compressive strength f_b	use category		Effective anchorage depth h_{ef} [mm]				
			≥ 50				
4 N/mm ²	w/w	w/d	1,2	1,5	1,5	1,5	1,5
		d/d					
6 N/mm ²	w/w	w/d	2,0	2,0	2,5	2,5	2,5
		d/d					
8 N/mm ²	w/w	w/d	2,5	2,5	3,0	3,0	3,5
		d/d					
10N/mm ²	w/w	w/d	3,0	3,5	4,0	4,0	4,5
		d/d					

Factor for job site tests and displacements see annex C110

fischer injection system FIS V for masonry

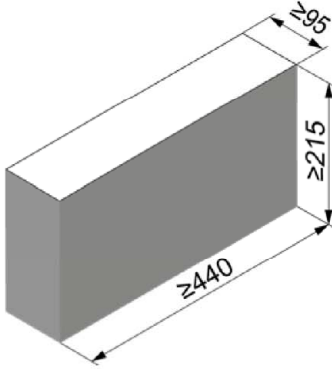
Performance

Light-weight concrete solid block Vbl,
Characteristic resistance under tensile and shear load

Annex C 102

Appendix 123/ 131

Light-weight concrete solid block Vbl, EN 771-3



Light-weight concrete solid block Vbl, EN 771-3			
Producer		Tramac	
Nominal dimensions [mm]	length L	width W	height H
	≥ 440	≥ 95	≥ 215
Density ρ [kg/dm ³]	≥ 2,0		
Compressive strength f_b [N/mm ²]	6 / 8 / 10 / 12		
Standard or annex	EN 771-3		

Table C103.1: Installation parameters

Anchor rod		M6		M8		M10		M12		M16	
Anchor rod without perforated sleeve											
Effective anchorage depth	h_{ef} [mm]	50	70	50	70	50	70	50	70	50	70
Max. installation torque	T_{inst} [Nm]	4		10							
General installation parameters											
Edge distance	c_{min}							60			
Spacing	$s_{min \parallel}$							75			
	$s_{cr \parallel}$							3x h_{ef}			
	$s_{min \perp}$							75			
	$s_{cr \perp}$							3x h_{ef}			
Drilling method											
Hammer drilling with hard metal hammer drill											

Table C103.2: Group factors

Anchor rod		M6		M8		M10		M12		M16	
Group factors	$\alpha_{g,N \parallel}$					1,9					
	$\alpha_{g,V \parallel}$					1,4					
	$\alpha_{g,N \perp}$					1,9					
	$\alpha_{g,V \perp}$					1,4					

fischer injection system FIS V for masonry

Performance

Light-weight concrete solid block Vbl, dimensions, installation parameters

Annex C 103

Light-weight concrete solid block Vbl, EN 771-3

Table C104.1: Characteristic resistance under tensile load

Anchor rod		M6		M8		M10		M12		M16		
Tensile load N_{Rk} [kN] depending on the compressive strength f_b (temperature range 50/80°C)												
compressive strength f_b	use category		Effective anchorage depth h_{ef} [mm]									
	50	70	50	70	50	70	50	70	50	70		
6 N/mm ²	w/w	w/d	1,5	2,0	1,5	2,0	1,5	2,0	1,5	2,0	1,5	2,0
	d/d		2,5	3,5	2,5	3,5	2,5	3,5	2,5	3,5	2,5	3,5
8 N/mm ²	w/w	w/d	2,0	2,5	2,0	2,5	2,0	3,0	2,0	3,0	2,0	3,0
	d/d		3,5	4,5	3,5	4,5	3,5	5,0	3,5	5,0	3,5	5,0
10N/mm ²	w/w	w/d	2,5	3,5	2,5	3,5	2,5	3,5	2,5	3,5	2,5	3,5
	d/d		4,5	6,0	4,5	6,0	4,5	6,0	4,5	6,0	4,5	6,0
12N/mm ²	w/w	w/d	3,0	4,0	3,0	4,0	3,0	4,5	3,0	4,5	3,0	4,5
	d/d		5,0	7,0	5,0	7,0	5,0	7,5	5,0	7,5	5,0	7,5

Factor for temperature range 72/120°C: 0,83

Table C104.2: Characteristic resistance under shear load

Anchor rod		M6		M8		M10		M12		M16	
Shear load V_{Rk} [kN] depending on the compressive strength f_b (temperature range 50/80°C and 72/120°C)											
compressive strength f_b	use category		Effective anchorage depth h_{ef} [mm]								
			≥ 50								
6 N/mm ²	w/w	w/d	2,0	2,0	2,0	1,5	1,5				
	d/d										
8 N/mm ²	w/w	w/d	2,5	2,5	3,0	2,5	2,5				
	d/d										
10N/mm ²	w/w	w/d	3,5	3,5	4,0	3,0	3,0				
	d/d										
12N/mm ²	w/w	w/d	4,0	4,0	4,5	3,5	3,5				
	d/d										

Factor for job site tests and displacements see annex C110

fischer injection system FIS V for masonry

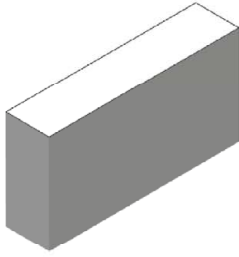
Performance

Light-weight concrete solid block Vbl,
Characteristic resistance under tensile and shear load

Annex C 104

Appendix 125/ 131

Autoclaved aerated concrete (cylindrical drill hole), EN 771-4



Autoclaved aerated concrete, EN 771-4				
Producer		e.g. Ytong		
Density ρ	[kg/dm ³]	0,35	0,5	0,65
Compressive strength f_b	[N/mm ²]	2	4	6
Standard or annex		EN 771-4		

Table C105.1: Installation parameters

Anchor rod	M6	M8	M10	M12	M16	-		-	
Internal threaded anchor FIS E	-	-	-	-	-	M6	M8	M10	M12
						11x85		15x85	

Anchor rod and internal threaded anchor FIS E without perforated sleeve														
Effective anchorage depth	h_{ef}	[mm]	100	200	100	200	100	200	100	200	100	200	85	
Max. installation torque	T_{inst}	[Nm]	1	4	1	8	2	12	2	16	2	20	1	2

General installation parameters													
Edge distance	c_{min}		100										
Spacing	$s_{cr \parallel} = s_{min \parallel}$	[mm]	250										
	$h_{ef}=200mm$ $s_{min \parallel}$		80										
	$h_{ef}=200mm$ $s_{cr \parallel}$		$3x h_{ef}$										
	$s_{cr \perp} = s_{min \perp}$		250										
	$h_{ef}=200mm$ $s_{min \perp}$		80										
	$h_{ef}=200mm$ $s_{cr \perp}$		$3x h_{ef}$										

Drilling method
Hammer drilling with hard metal hammer drill

fischer injection system FIS V for masonry

Performance Autoclaved aerated concrete (cylindrical drill hole), dimensions, installation parameters	Annex C 105 Appendix 126/ 131
---	---

Table C106.1: Group factors for autoclaved aerated concrete
(Compressive strength $f_b = 2 \text{ N/mm}^2$)

Anchor rod	M6	M8	M10	M12	M16	-		-		
Internal threaded anchor FIS E	-	-	-	-	-	M6	M8	M10	M12	
						11x85		15x85		
Group factors	[-]	$h_{ef}=200 \alpha_{g,N} \parallel$	1,6			-1)	-1)			
		$h_{ef}=200 \alpha_{g,V} \parallel$	1,1			-1)	-1)			
		$\alpha_{g,N} \parallel, \alpha_{g,V} \parallel$	2							
		$h_{ef}=200 \alpha_{g,N} \perp$	1,6			-1)	-1)			
		$h_{ef}=200 \alpha_{g,V} \perp$	0,8			-1)	-1)			
		$\alpha_{g,N} \perp, \alpha_{g,V} \perp$	2							

¹⁾ No performance assessed

Table C106.2: Group factors for autoclaved aerated concrete
(Compressive strength $f_b = 4 \text{ N/mm}^2$)

Anchor rod	M6	M8	M10	M12	M16	-		-		
Internal threaded anchor FIS E	-	-	-	-	-	M6	M8	M10	M12	
						11x85		15x85		
Group factors	[-]	$h_{ef}=200 \alpha_{g,N} \parallel$	0,7			-1)	-1)			
		$h_{ef}=200 \alpha_{g,V} \parallel$	2,0			-1)	-1)			
		$\alpha_{g,N} \parallel, \alpha_{g,V} \parallel$	2							
		$h_{ef}=200 \alpha_{g,N} \perp$	0,7			-1)	-1)			
		$h_{ef}=200 \alpha_{g,V} \perp$	1,2			-1)	-1)			
		$\alpha_{g,N} \perp, \alpha_{g,V} \perp$	2							

¹⁾ No performance assessed

Table C106.3: Group factors for autoclaved aerated concrete
(Compressive strength $f_b = 6 \text{ N/mm}^2$)

Anchor rod	M6	M8	M10	M12	M16	-		-		
Internal threaded anchor FIS E	-	-	-	-	-	M6	M8	M10	M12	
						11x85		15x85		
Group factors	[-]	$h_{ef}=200 \alpha_{g,N} \parallel$	0,7			-1)	-1)			
		$h_{ef}=200 \alpha_{g,V} \parallel$	2,0			-1)	-1)			
		$\alpha_{g,N} \parallel, \alpha_{g,V} \parallel$	2							
		$h_{ef}=200 \alpha_{g,N} \perp$	0,7			-1)	-1)			
		$h_{ef}=200 \alpha_{g,V} \perp$	1,2			-1)	-1)			
		$\alpha_{g,N} \perp, \alpha_{g,V} \perp$	2							

¹⁾ No performance assessed

fischer injection system FIS V for masonry

Performance
Autoclaved aerated concrete (cylindrical drill hole), Group factors

Annex C 106

Appendix 127/ 131

Autoclaved aerated concrete (cylindrical drill hole), EN 771-4

Table C107.1: Characteristic resistance under tensile load

Anchor rod		M6	M8	M10	M12	M16	-		-				
Internal threaded anchor FIS E		-	-	-	-	-	M6	M8	M10	M12			
		11x85		15x85									
Tensile load N_{Rk} [kN] depending on the compressive strength f_b (temperature range 50/80°C)													
compressive strength f_b	use category	Effective anchorage depth h_{ef} [mm]											
		100	200	100	200	100	200	100	200	100	200	85	
2 N/mm ²	w/w	1,2	1,2	1,5	2,0	1,5	3,0	1,5	3,0	2,0	3,0	1,5	1,5
	d/d	1,5	3,0	1,5	3,0	1,5	3,5	2,0	4,0	2,0	4,0	1,5	1,5
4 N/mm ²	w/w	1,2	- ¹⁾	2,0	1,5	2,5	3,5	2,5	3,5	2,0	3,5	2,0	1,5
	d/d	1,5	- ¹⁾	2,0	3,0	3,0	5,0	2,5	5,0	2,0	5,0	2,0	1,5
6 N/mm ²	w/w	1,5	- ¹⁾	3,0	2,5	4,5	5,0	4,5	7,0	3,0	8,5	3,5	2,5
	d/d	1,5	- ¹⁾	3,5	4,0	5,0	7,0	5,0	9,0	3,0	11,5	3,5	2,5

¹⁾ No performance assessed

Factor for temperature range 72/120°C: 0,83

Table C107.2: Characteristic resistance under shear load

Anchor rod		M6	M8	M10	M12	M16	-		-				
Internal threaded anchor FIS E		-	-	-	-	-	M6	M8	M10	M12			
		11x85		15x85									
Shear load V_{Rk} [kN] depending on the compressive strength f_b (temperature range 50/80°C and 72/120°C)													
compressive strength f_b	use category	Effective anchorage depth h_{ef} [mm]											
		100	200	100	200	100	200	100	200	100	200	85	
2 N/mm ²	w/w	1,2	1,2	1,2	1,2	1,2	1,2	1,5	1,2	1,2	1,2	1,2	1,5
	d/d	1,2	1,2	1,2	1,2	1,2	1,2	1,5	1,2	1,2	1,2	1,2	1,5
4 N/mm ²	w/w	2,0	- ¹⁾	2,5	2,0	2,0	2,0	2,5	2,0	2,0	2,0	2,0	2,5
	d/d	2,0	- ¹⁾	2,5	2,0	2,0	2,0	2,5	2,0	2,0	2,0	2,0	2,5
6 N/mm ²	w/w	2,5	- ¹⁾	3,0	2,5	3,0	3,0	3,5	4,0	4,5	4,5	2,5	3,5
	d/d	2,5	- ¹⁾	3,0	2,5	3,0	3,0	3,5	4,0	4,5	4,5	2,5	3,5

¹⁾ No performance assessed

Factor for job site tests and displacements see annex C110

fischer injection system FIS V for masonry

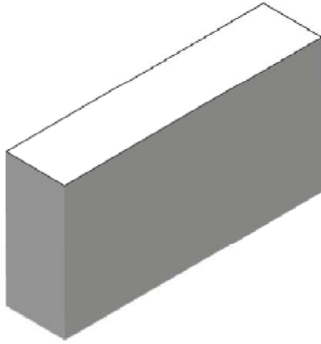
Performance

Autoclaved aerated concrete (cylindrical drill hole),
Characteristic resistance under tensile and shear load

Annex C 107

Appendix 128/ 131

Autoclaved aerated concrete (conical drill hole with special drill bit PBB), EN 771-4



Autoclaved aerated concrete, EN 771-4			
Producer	e.g. Ytong		
Density ρ [kg/dm ³]	0,35	0,5	0,65
Compressive strength f_b [N/mm ²]	2	4	6
Standard or annex	EN 771-4		

Table C108.1: Installation parameters

Anchor rod	M8		M10		M12		-		
Internal threaded anchor FIS E	-	-	-	-	-	-	M6	M8	
								11x85	
Anchor rod and internal threaded anchor FIS E without perforated sleeve									
Effective anchorage depth h_{ef} [mm]	75	95	75	95	75	95	85		
Max. installation torque T_{inst} [Nm]	2								
General installation parameters									
Edge distance c_{min}	120	150	120	150	120	150	150		
Spacing $s_{cr \parallel = s_{min \parallel}}$ [mm]	240	300	240	300	240	300	300		
	$s_{cr \perp = s_{min \perp}}$	240	250	240	250	240	250	250	
Drilling method									
Hammer drilling with hard metal hammer drill									

Table C108.2: Group factors

Anchor rod	M8		M10		M12		-			
Internal threaded anchor FIS E	-	-	-	-	-	-	M6	M8		
								11x85		
Group factors	$\alpha_{g,N \parallel}$	[-]	2							
	$\alpha_{g,V \parallel}$									
	$\alpha_{g,N \perp}$									
	$\alpha_{g,V \perp}$									

fischer injection system FIS V for masonry

Performance

Autoclaved aerated concrete (conical drill hole with special drill bit PBB), dimensions, installation parameters

Annex C 108

Appendix 129/ 131

Autoclaved aerated concrete (conical drill hole with special drill bit PBB), EN 771-4

Table C109.1: Characteristic resistance under tensile load

Anchor rod		M8		M10		M12		-	
Internal threaded anchor FIS E		-	-	-	-	-	-	M6	M8
		11x85							
Tensile load N_{Rk} [kN] depending on the compressive strength f_b (temperature range 50/80°C)									
compressive strength f_b	use category	Effective anchorage depth h_{ef} [mm]							
		75	95	75	95	75	95	85	
2 N/mm ²	w/w	2,0	2,5	2,0	2,5	2,0	2,5	2,0	2,0
	d/d	2,0	2,5	2,0	2,5	2,0	2,5	2,0	2,0
4 N/mm ²	w/w	3,0	3,5	3,0	3,5	3,0	3,5	3,0	3,0
	d/d	3,0	3,5	3,0	3,5	3,0	3,5	3,0	3,0
6 N/mm ²	w/w	3,5	4,0	3,5	4,0	3,5	4,0	3,5	3,5
	d/d	4,0	4,5	4,0	4,5	4,0	4,5	4,0	4,0

Factor for temperature range 72/120°C: 0,83

Table C109.2: Characteristic resistance under shear load

Anchor rod		M8		M10		M12		-	
Internal threaded anchor FIS E		-	-	-	-	-	-	M6	M8
		11x85							
Shear load V_{Rk} [kN] depending on the compressive strength f_b (temperature range 50/80°C and 72/120°C)									
compressive strength f_b	use category	Effective anchorage depth h_{ef} [mm]							
		75	95	75	95	75	95	85	
2 N/mm ²	w/w	2,5							
	d/d								
4 N/mm ²	w/w	4,5							
	d/d								
6 N/mm ²	w/w	6,0							
	d/d								

Factor for job site tests and displacements see annex C110

fischer injection system FIS V for masonry

Performance

Autoclaved aerated concrete (conical drill hole with special drill bit PBB),
Characteristic resistance under tensile and shear load

Annex C 109

Appendix 130/ 131

β-factors for job site tests; displacements

Table C110.1: β-factors for job site tests

use category		w/w and w/d		d/d	
temperature range		50/80	72/120	50/80	72/120
Material	Size				
solid units	M6	0,55	0,46	0,96	0,80
	M8	0,57	0,51		
	M10	0,59	0,52		
	M12 FIS E 11x85	0,6	0,54		
	M16 FIS E 15x85	0,62	0,52		
	FIS H 16x85 K	0,55	0,46		
hollow units	all sizes	0,86	0,72	0,96	0,8
Autoclaved aerated concrete cylindrical drill hole	all sizes	0,73	0,73	0,81	0,81
Autoclaved aerated concrete conical drill hole	all sizes	0,66	0,59	0,73	0,66

Table C110.2: Displacements

Material	N [kN]	δN ₀ [mm]	δN _∞ [mm]	V [kN]	δV ₀ [mm]	δV _∞ [mm]
solid units and autoclaved aerated concrete h _{ef} =100mm	$\frac{N_{Rk}}{1,4 * \gamma_{Mm}}$	0,03	0,06	$\frac{V_{Rk}}{1,4 * \gamma_{Mm}}$	0,82	0,88
hollow units	$\frac{N_{Rk}}{1,4 * \gamma_{Mm}}$	0,48	0,06	$\frac{V_{Rk}}{1,4 * \gamma_{Mm}}$	1,71	2,56
solid brick Mz NF annex C 4 - C 7	$\frac{N_{Rk}}{1,4 * \gamma_{Mm}}$	0,74	1,48	$\frac{V_{Rk}}{1,4 * \gamma_{Mm}}$	1,23	1,85
solid brick KS NF annex C 14 / C 15	$\frac{N_{Rk}}{1,4 * \gamma_{Mm}}$	0,2	0,4	$\frac{V_{Rk}}{1,4 * \gamma_{Mm}}$	0,91	1,37
AAC h _{ef} =200 mm annex C 105 - C 107	$\frac{N_{Rk}}{1,4 * \gamma_{Mm}}$	1,03	2,06	$\frac{V_{Rk}}{1,4 * \gamma_{Mm}}$	1,25	1,88
brick Annex C 89 / C 90	$\frac{N_{Rk}}{1,4 * \gamma_{Mm}}$	0,03	0,06	$\frac{V_{Rk}}{1,4 * \gamma_{Mm}}$	6,44	9,66

For anchorage in autoclaved aerated concrete, the partial factor γ_{MAAC} shall be used instead of γ_{Mm} .

fischer injection system FIS V for masonry

Performance
β-factors for job site tests; displacements

Annex C 110

Appendix 131/ 131