

Sprinkler clamp FRSP C

OVER VIEW



FRSP C

Properties:

Material	Carbon Steel Q 235
Micron	≥ 5 µM
Finish	Electro galvanized, Epoxy coated & other finish available upon request

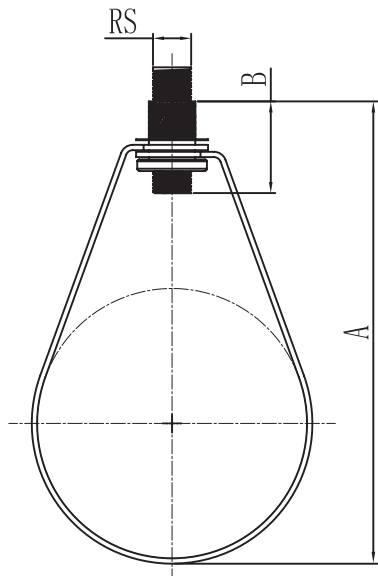
APPROVALS



DESCRIPTION

- Used for suspension of non-insulated pipe line.
- One piece clip allows high permissible loads.
- It can be mount without any tools.
- Height is adjustable.

TECHNICAL DATA



Type	Art. No.	Qty. per box	Rod Size		Height		Rod Diameter		Max. Rec. Load		Weight per piece
			RS		A		B				
[in]		pcs.	[in]	[mm]	[in]	[mm]	[in]	[mm]	[lBS]	[kg]	[kg]
FRSP C 1/2"	516662	100	3/8	M10	2 5/6	72	1	25	300	136	0.041
FRSP C 3/4"	516663	100	3/8	M10	3	78	1	25	300	136	0.043
FRSP C 1"	516664	100	3/8	M10	3 3/8	86	1	25	300	136	0.046
FRSP C 1-1/4"	516665	100	3/8	M10	3 5/7	94	1	25	300	136	0.049
FRSP C 1-1/2"	516666	100	3/8	M10	4	99	1	25	300	136	0.051
FRSP C 2"	516667	100	3/8	M10	4 2/7	109	1	25	300	136	0.059
FRSP C 2-1/2"	516668	60	3/8	M10	5 1/2	141	1 1/4	32	1000	454	0.129
FRSP C 3"	516669	60	3/8	M10	6 3/8	162	1 1/4	32	1000	454	0.147
FRSP C 4"	516670	24	3/8	M10	7 2/3	195	1 5/16	33	1100	499	0.172
FRSP C 5"	532356	24	1/2	M12	9	226	1 5/16	33	1100	499	0.242
FRSP C 6"	516671	24	1/2	M12	10 1/2	267	1 9/16	40	1250	567	0.327
FRSP C 8"	516672	12	1/2	M12	12 1/2	316	1 5/8	41	1250	567	0.418